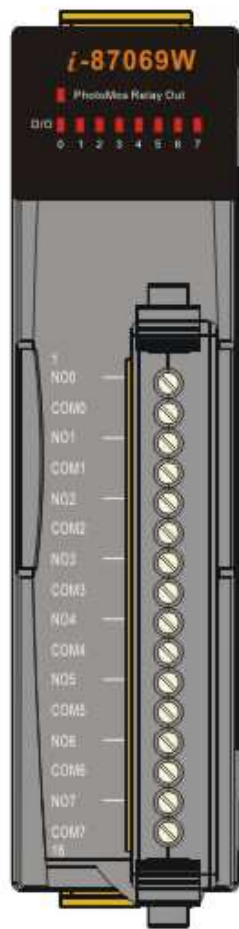


I-87069W Hardware User Guide

I-87069W Specifications

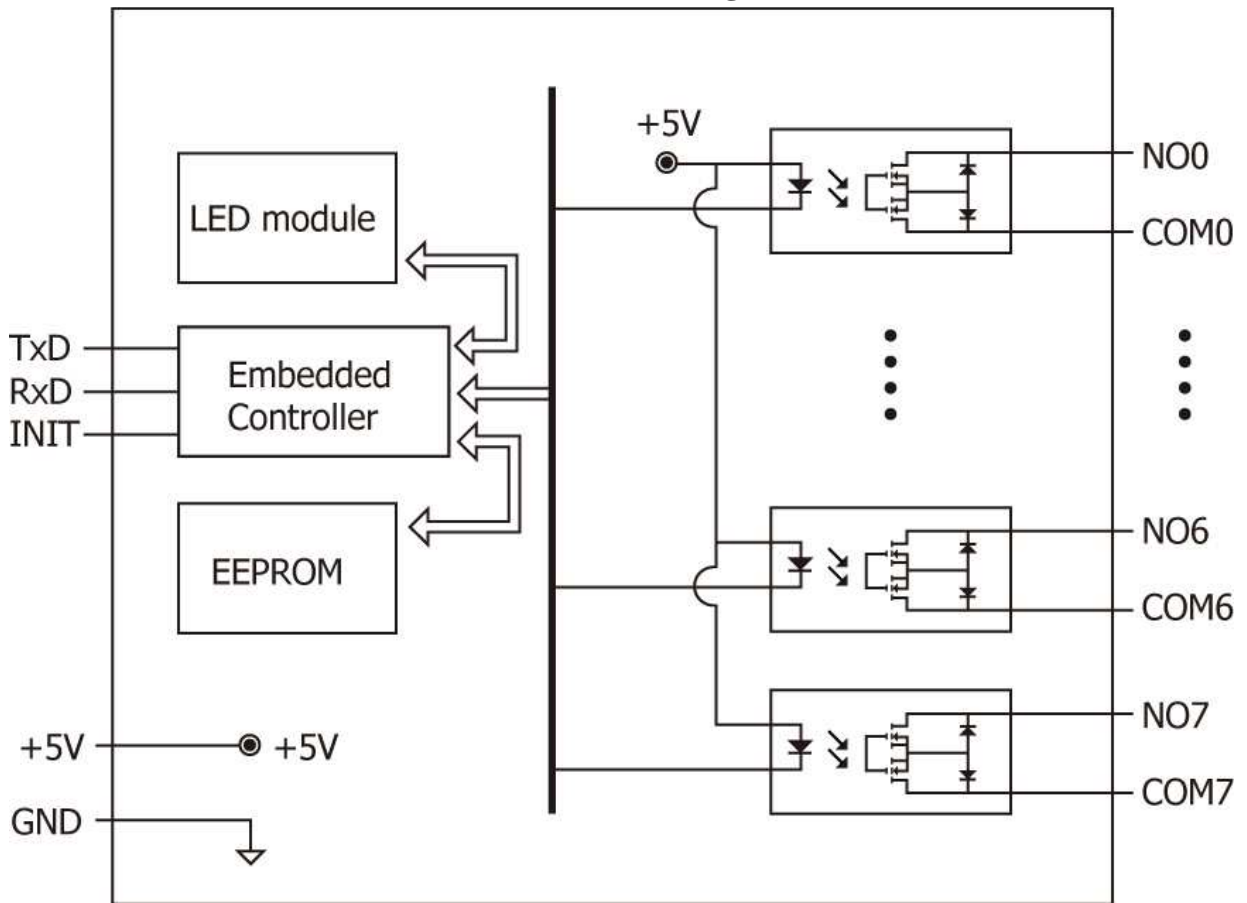
PhotoMos Relay Output	Outputs per module	8
	Load Current	0.13A max
	Load Voltage	350V max AC/DC
	Isolation Voltage	5000 VAC
	TurnOn Time	0.7 ms type
	TurnOff Time	0.05 ms type
LED Display	1 LED as Power/Communication indicator 8 LEDs as photo-mos relay output indicators	
4KV ESD Protection	Yes, contact for each terminal	
Power Consumption	Maximum : 0.5W	

I-87069W Pin Assignment

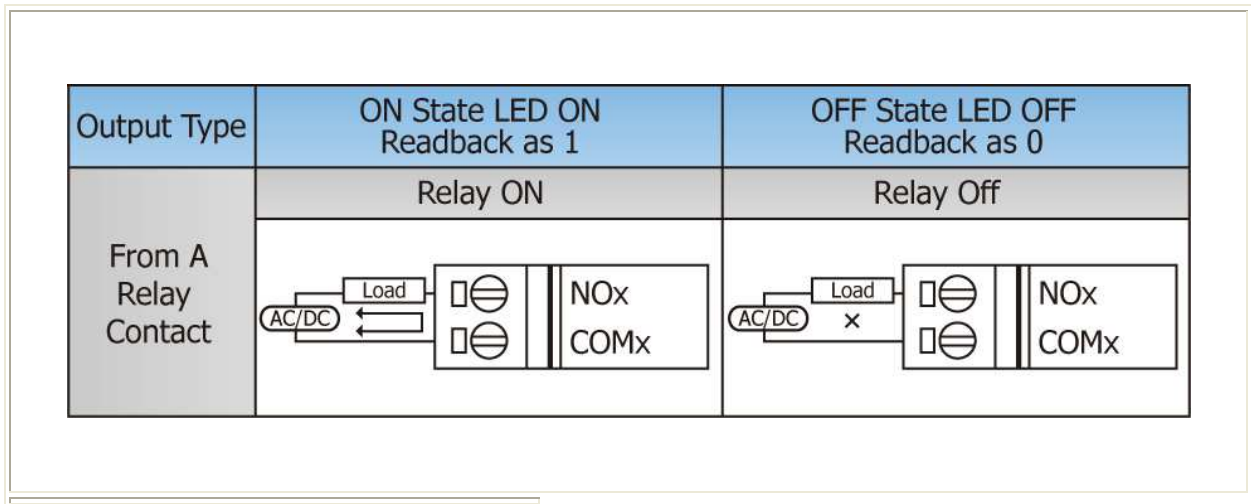


Terminal No.	Pin Assignment Name
01	NO0
02	COM0
03	NO1
04	COM1
05	NO2
06	COM2
07	NO3
08	COM3
09	NO4
10	COM4
11	NO5
12	COM5
13	NO6
14	COM6
15	NO7
16	COM7

I-87069W Block Diagram

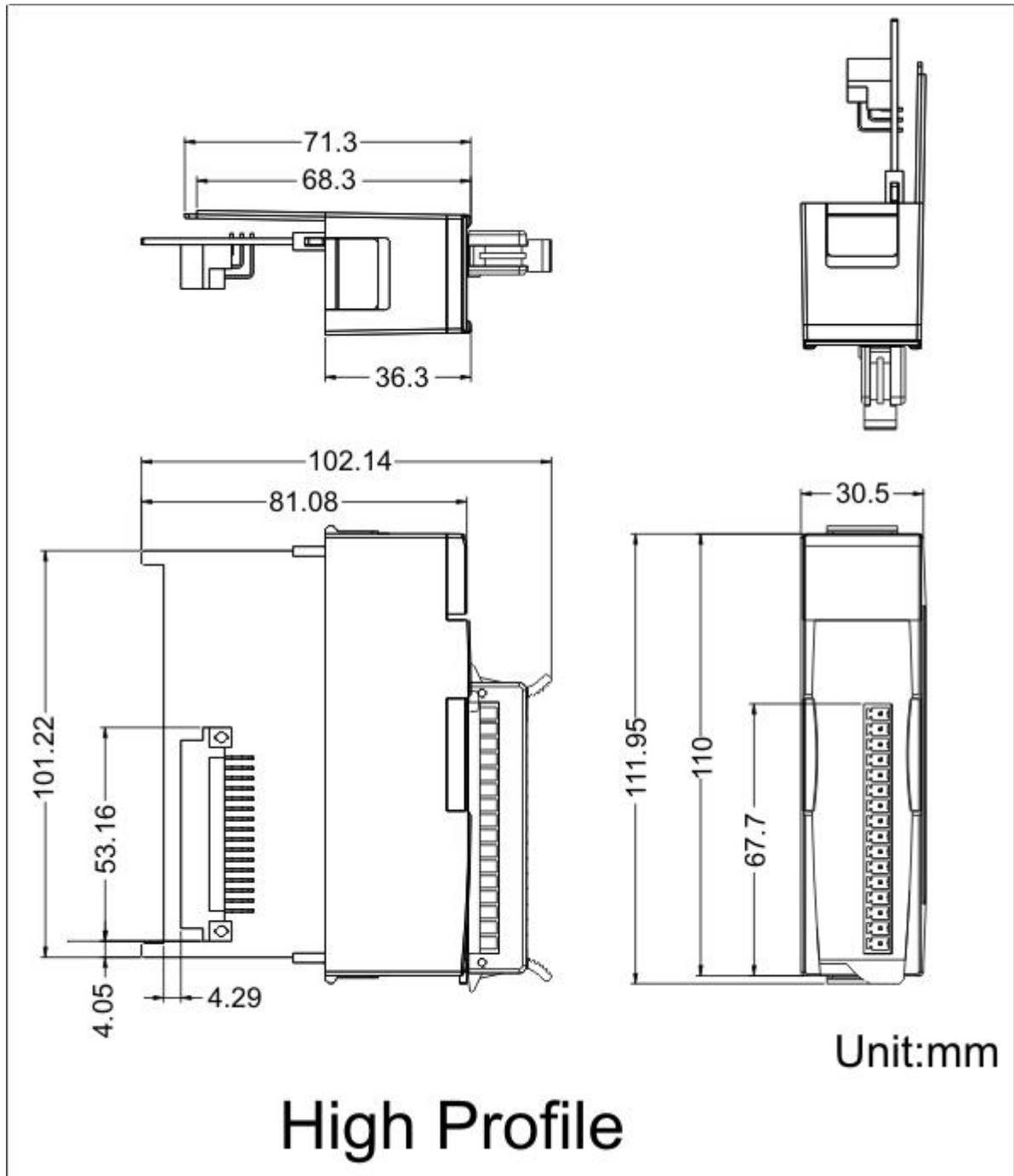


I-87069W Wire Connection



Note : The max load current = 0.13A

I-87069W Dimensions



I-87069W Default Setting

Configuration	Default Setting	Description
Type	40	Digital Input/Output
Baudrate	0A	115200 bps
Format	00	Checksum disable