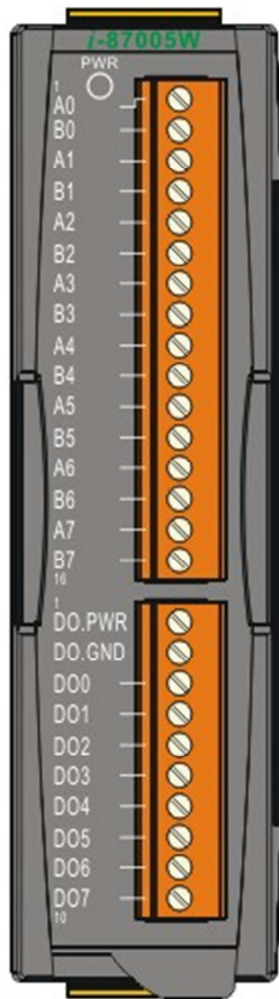


# I-87005W Hardware User Guide

## I-87005W Specification

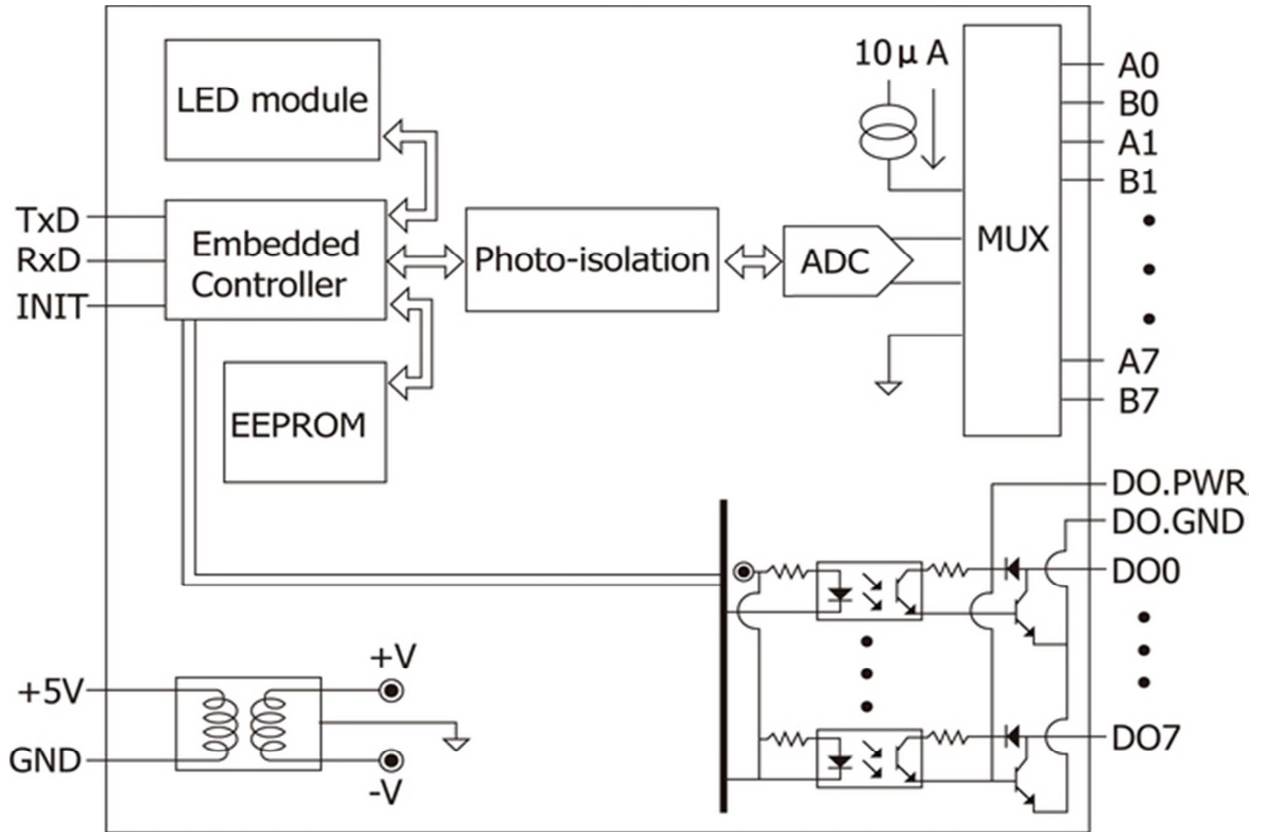
<b>Analog Input</b>	Input Channels	8
	Input Type	Precon ST-A3, Fenwell U, YSI L100, YSI L300, YSI L1000, YSI B2252, YSI B3000, YSI B5000, YSI B6000, YSI B10000, YSI H10000, YSI H30000, User-defined
	Resolution	16-bit
	Sampling Rate	8 samples/sec (total)
	Accuracy	+/- 0.1% of FSR
	-3dB BandWidth	15.7Hz
	Zero drift	+/- 0.5 $\mu$ V/ °C
	Span drift	+/- 25 $\mu$ V/ °C
	Common Mode Rejection	113 dB
	Normal Mode Rejection	100 dB
	Input Impedance	>1M Ohms
	Overvoltage Protection	120V <sub>DC</sub> /110V <sub>AC</sub>
	Intra-module Isolation, Field to Logic	3000V <sub>DC</sub>
<b>Digital Output</b>	Output Channels	8
	Output Type	Isolated Open-Collector
	Maximum Load Current	700 mA/Channel
	Load Voltage	5 ~ 50 V <sub>DC</sub>
<b>LED Display</b>	1 LED as Power/Communication indicator	
<b>Power Consumption</b>	Maximum : 1.6W	

## I-87005W Pin Assignment

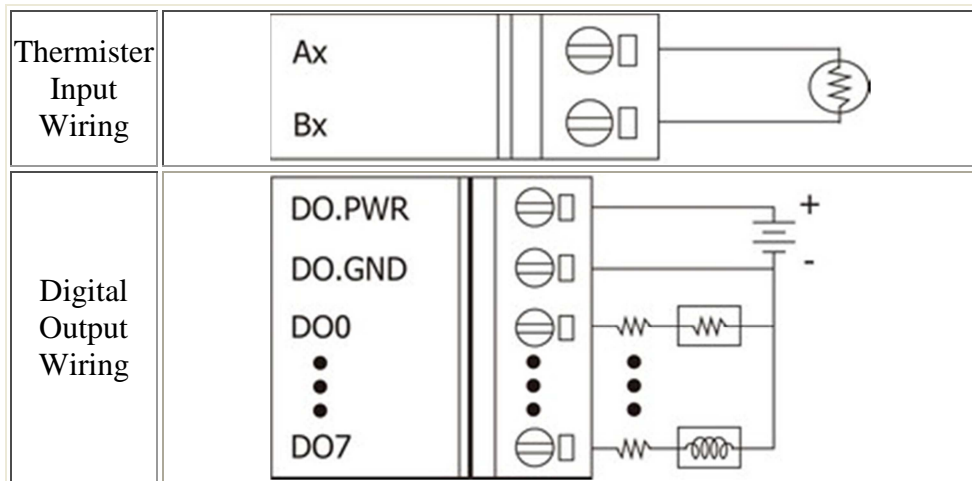


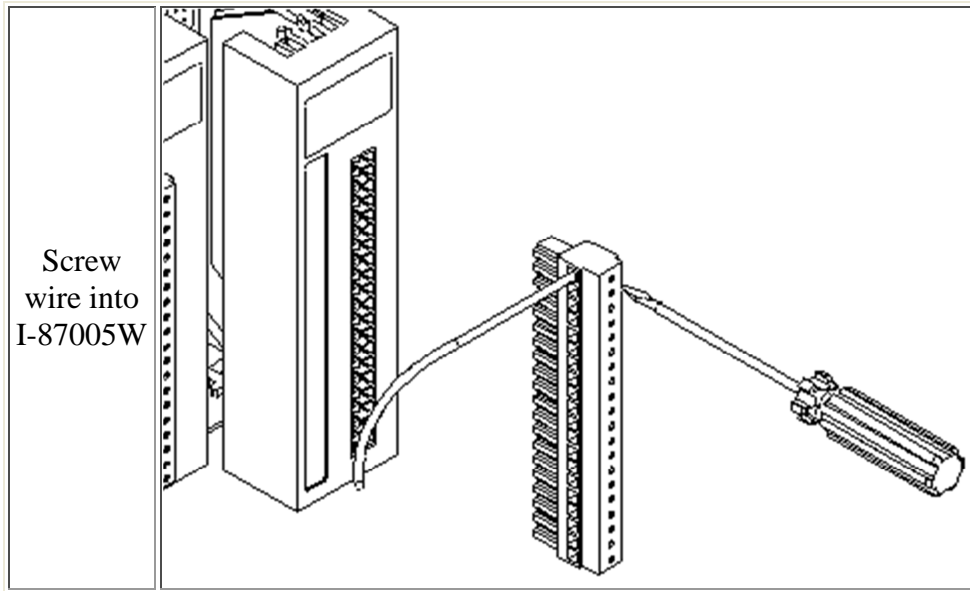
Terminal No.	Pin Assignment
01	A0
02	B0
03	A1
04	B1
05	A2
06	B2
07	A3
08	B3
09	A4
10	B4
11	A5
12	B5
13	A6
14	B6
15	A7
16	B7
01	DO.PWR
02	DO.GND
03	DO0
04	DO1
05	DO2
06	DO3
07	DO4
08	DO5
09	DO6
10	DO7

### I-87005W Block Diagram

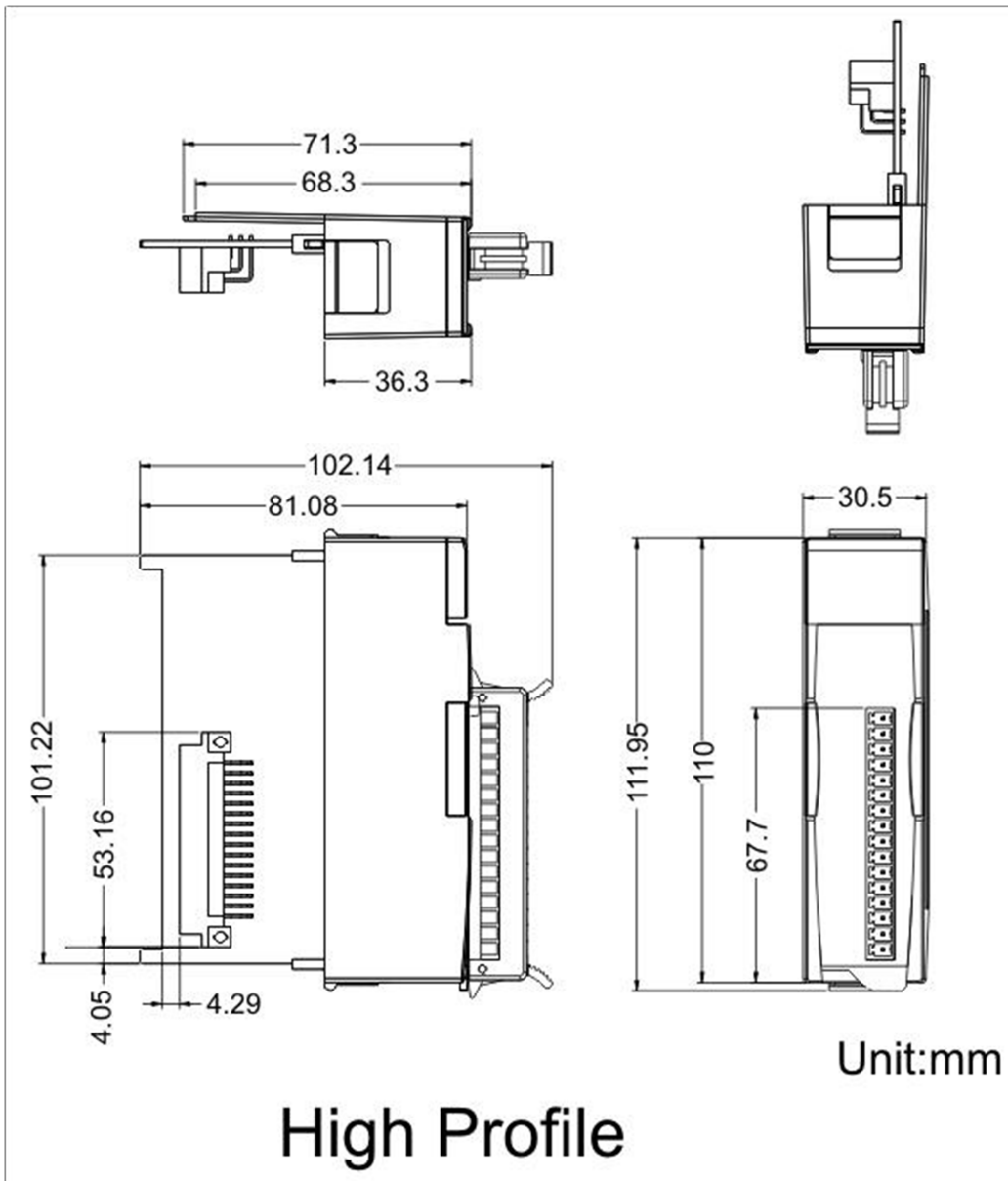


### I-87005W Wire Connection





**I-87005W Dimention**



### I-87005W Default Setting

<b>Configuration</b>	<b>Default Setting</b>	<b>Description</b>
Type	60	Precon ST-A3
Baudrate	0A	115200 bps
Format	00	60Hz rejection Checksum disable Engineer Unit Format