



EIP-2060

EtherNet/IP module – 6 DI and 6 Relay

Features

- Transfer protocol: EtherNet/IP
- 10/100 Base-TX Ethernet, RJ-45 x 2 (Auto-negotiating, auto MDI/MDIX, LED Indicators)
- Support ARP, TCP, UDP, ICMP, DHCP, BOOTP and TFTP protocols
- Easy firmware update via Ethernet
- Removable terminal block connector
- LED display to indicate the I/O status
- Built-In I/O — DI/Counter: 6 Channels
Relay: 6 Channels
- Power-On-Value
- Safe-Value
- RoHS compliant



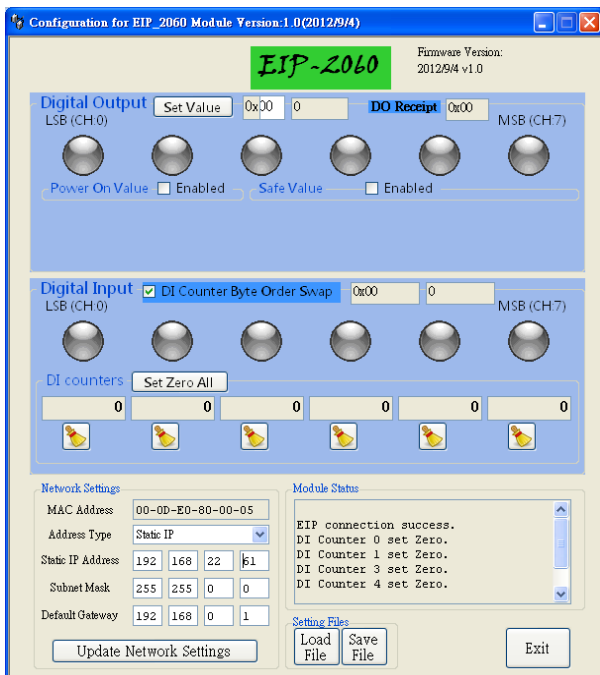
Introduction

The EIP-2060 is a remote I/O module with 6 DIs and 6 relays. It is designed as an EtherNet/IP adapter. With 2 Ethernet ports, the EIP-2060 allows daisy chain connection which permits the flexibility in locating devices, eases installation and lowers infrastructure costs. Users can obtain the I/O as well as the connection status of the EIP-2060 by the LEDs. In addition, ICPDAS provides software utility to easily configure and test the EIP-2000 modules via Ethernet.

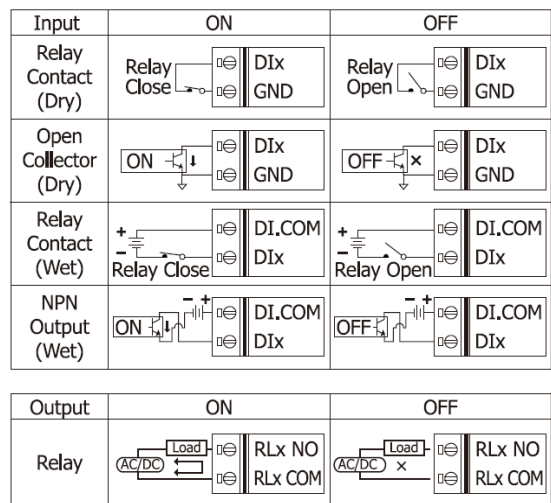
Utility Features

ICPDAS provides the EIP-2000 configuration utility for Windows 2K/XP/Vista and Win 7.

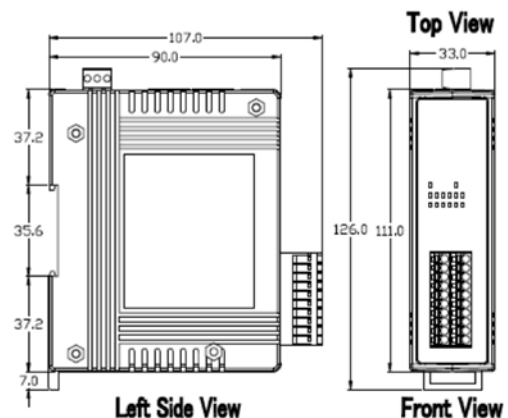
- Network parameters configuration
- Settings for power-on value and safe value.
- Easy test to transmit/receive the I/O status by EtherNet/IP
- Setting files management



Wire connection



Dimensions (Units: mm)



Hardware Specifications

Digital Input / Counter		
Channels	6	
Input Type	Dry Contact: Source, Wet Contact: Sink / Source	
Dry Contact Level	OFF Voltage Level: Open	On Voltage Level: Close to GND
Wet Contact Level	OFF Voltage Level: +1V _{DC} Max.	On Voltage Level: +5V _{DC} ~ +50 V _{DC}
Counters	Max. Count	32-bit (4,294,967,295)
	Max. Input Frequency	3 kHz
	Programmable Digital Filter	1~6500 ms (0.08 Hz ~ 500 Hz)
Overvoltage Protection	+70 V _{DC}	
Power Relay		
Channels	6	
Type	Power Relay, Form A(SPST-NO)	
Contact Rating	5A @ 250V _{AC} / 24V _{DC} (Resistive Load)	
Min. Contact Load	10 mA @ 5 V	
Operate Time	10 ms (max.)	
Release Time	5 ms (max.)	
Mechanical Endurance	2 x 10 ⁷ ops.	
Electrical Endurance	10 ⁵ ops.	
Power-on Value	Yes, Configurable	
Safe Value	Yes, Configurable	
Communication Interface		
Connector	10/100 Base-TX, 8-pin RJ-45 x 2 Support daisy chain connection	
Standard Supported	IEEE 802.3 Ethernet/IP	
Power		
Reverse Polarity Protection	Yes	
Powered from Terminal Block	+10 ~ 30V _{DC}	
Consumption	3.3 W(Max.)	
Mechanism		
Dimensions (W x L x H)	33 mm x 127 mm x 99 mm	
Installation	DIN-Rail or Wall mounting	
Environment		
Operating Temperature	-25°C ~ +75°C	
Storage Temperature	-30°C ~ +80°C	
Humidity	10 ~ 90% RH, Non-condensing	

Application



Ordering Information

EIP-2060 CR	Isolated 6-ch DI & 6 Relay Output EtherNet/IP Module
-------------	--