



I-7188EX(D)-MTCP

Palm-sized Programmable Modbus Gateway with 80188-40 CPU, Modbus Firmware, I/O Bus (7-Segment LED Display)

Features

- Incorporate Serial Devices in an Ethernet Network
- Supports Modbus TCP to RTU Gateway
- Built-in High Performance MiniOS7 from ICP DAS
- Easy-to-use Software Development Tool Kits (Using C language)
- Various Communication Interfaces
 - 10/100 Base-TX Ethernet
 - RS-232/RS-485
- 64-bit Hardware Serial Number
- I/O Expansion Bus Interface
- Build-in Watchdog Timer



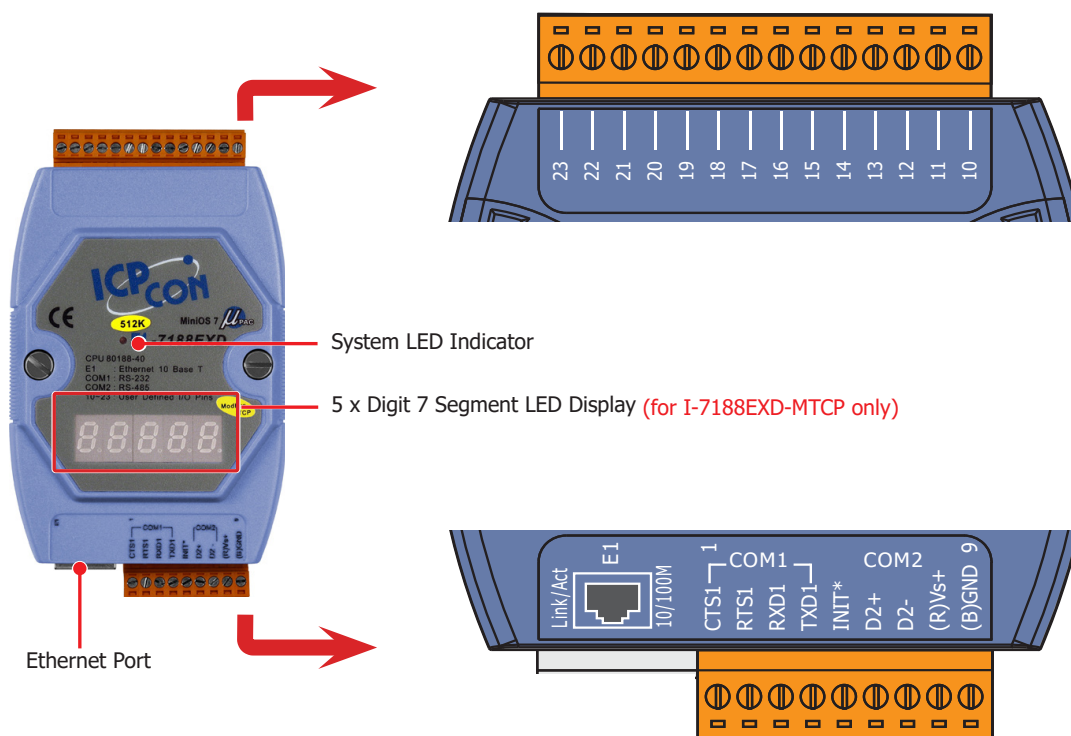
Introduction

The I-7188EX(D)-MTCP is a family of Programmable Device Servers, also known as "Serial-to-Ethernet gateway", that are designed for linking RS-232/485 devices to an Ethernet network. The I-7188EX(D)-MTCP also works as a Modbus TCP to RTU gateway that supports most SCADA/HMI communications based on the Modbus TCP protocol.

ICP DAS provides easy-to-use software development tool kits (XServer, Modbus libraries). Users can use them to easily integrate serial devices to have Ethernet/Internet communication ability and through the standard Modbus protocol to communicate with SCADA software (Indusoft, ISaGARF, DasyLab, Trace Mode, Citect, iFix, etc.).

For hardware expansion, the I-7188EX(D)-MTCP also supports an I/O expansion bus. A cost-effective I/O expansion board with A/D, D/A, D/I, D/O and serial ports is available. Nearly all kinds of I/O functions can be implemented by this bus. But the bus can support only one board. There are more than 50 boards available for I-7188EX(D)-MTCP, you can choose one of them to expand hardware features.

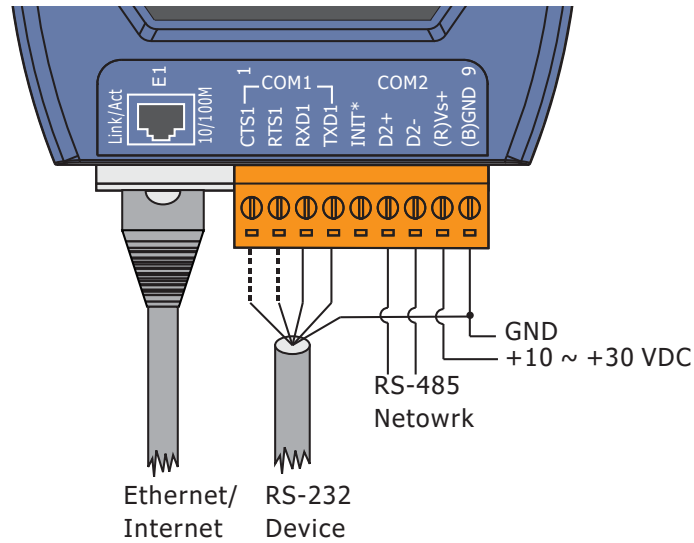
Appearances



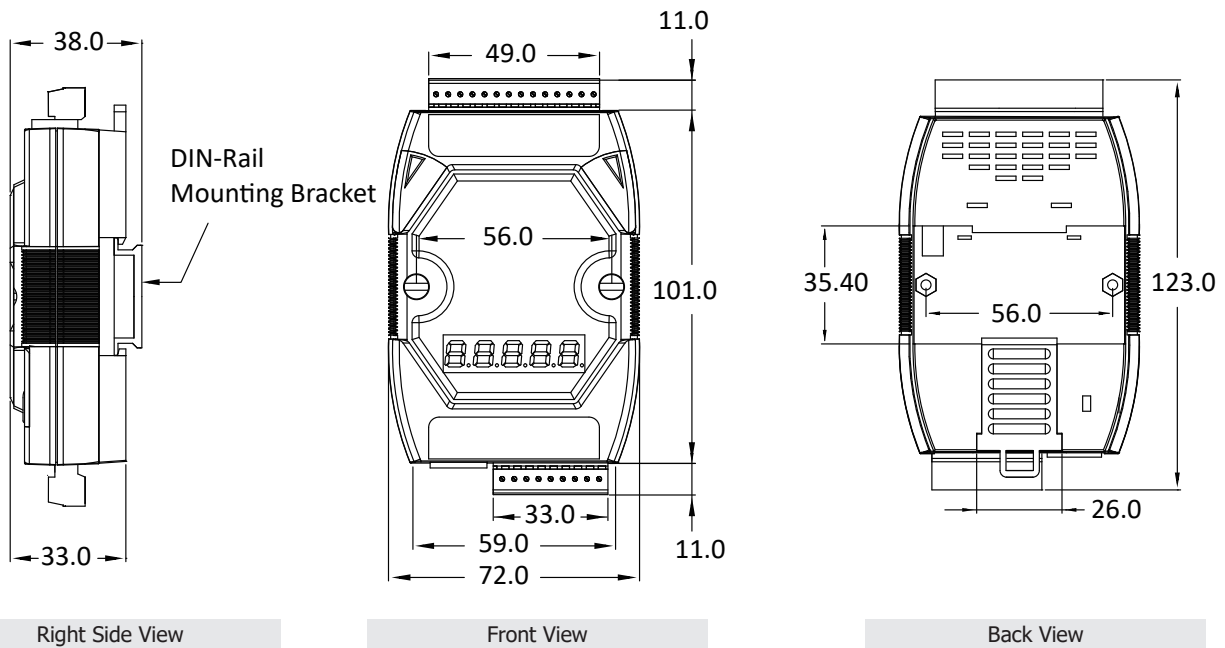
Specifications

Model	I-7188EX-MTCP	I-7188EXD-MTCP
Software		
OS	MiniOS7	
Development	C Language	
CPU Module		
CPU	80188, 40 MHz or compatible	
SRAM	512 KB	
Flash	512 KB	
EEPROM	2 KB	
NVRAM	31 Bytes	
RTC (Real Time Clock)	Provide seconds, minutes, hours, dates, day of week, month, year	
64-bit Hardware Serial Number	Yes	
Watchdog Timer	Yes	
Display		
Type	-	5 x Digit 7 Segment LED Display
LED Indicator		
Status	1 x System	
Communication Interface		
Ethernet	1 x RJ-45, 10 BASE-T NE2000 compatible Ethernet	
COM1	RS-232 (TXD, RXD, RTS, CTS, GND), Non-isolated, Speed: 115200 bps Max.	
COM2	RS-485 (Data+, Data-); Non-isolated, Speed: 115200 bps Max.	
I/O Expansion		
I/O Type	X-board	
User Defined I/O PINS	14	
Mechanical		
Dimension (W x H x D)	72 mm x 123 mm x 33 mm	
Installation	DIN-Rail Mounting	
Environmental		
Operating Temperature	-25 ~ +75 °C	
Storage Temperature	-40 ~ +80 °C	
Humidity	5 ~ 90 % RH, Non-condensing	
Power		
Input Range	+10 ~ +30 VDC	
Consumption	2.0 W	3.0 W

Wiring Connections



Dimensions (Units: mm)



Ordering Information

I-7188EX-MTCP CR	Palm-sized Programmable Modbus Gateway with 80188-40 CPU, Modbus Firmware, 512 KB SRAM, RTC and I/O Bus (Blue Cover) (RoHS)
I-7188EX-MTCP-G CR	Palm-sized Programmable Modbus Gateway with 80188-40 CPU, Modbus Firmware, 512 KB SRAM, RTC and I/O Bus (Gray Cover) (RoHS)
I-7188EXD-MTCP CR	Palm-sized Programmable Modbus Gateway with 80188-40 CPU, Modbus Firmware, 512 KB SRAM, RTC, I/O Bus and 7-Segment LED Display (Blue Cover) (RoHS)
I-7188EXD-MTCP-G CR	Palm-sized Programmable Modbus Gateway with 80188-40 CPU, Modbus Firmware, 512 KB SRAM, RTC, I/O Bus and 7-Segment LED Display (Gray Cover) (RoHS)

Accessories

X-Board	Add-on I/O Expansion Board
----------------	----------------------------