

# IES-1082GP

► **Industrial 10-port unmanaged Ethernet switch with 8x10/100Base-T(X) and 2x1000Base-X, SFP socket**

## Features

- Triple redundant DC power inputs of terminal block and power jack
- Provide 8x10/100Base-T(X) and 2x1000Base-X SFP ports
- Supports auto-negotiation and auto-MDI/MDI-X
- Supports store-and-forward transmission
- Supports flow control
- Warning system by relay output
- Rigid IP-30 housing design
- DIN-Rail and wall mounting enabled

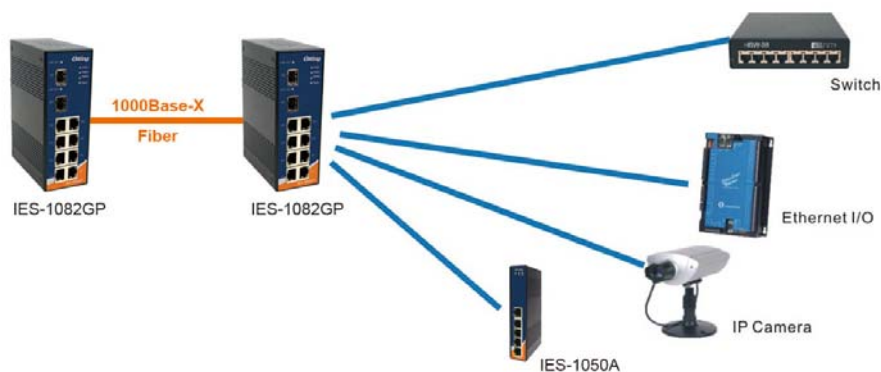


## Introduction

IES-1082GP is an unmanaged Ethernet switches with 8x10/100Base-T(X) and 2x1000Base-X in SFP ports. IES-1082GP supports redundant power input, relay output alarm, and surge protection. The wide operating temperature range from  $-40^{\circ}\text{C}$  to  $70^{\circ}\text{C}$  can satisfy most of operating environments.

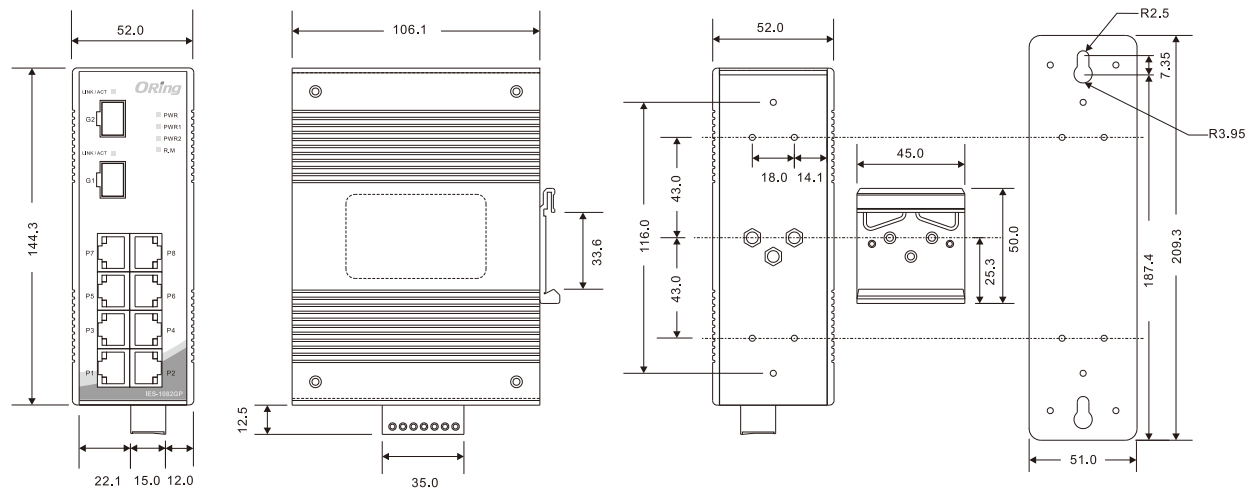
## Practical Operation

IES-1082GP can be used in connecting several Ethernet devices like Ethernet I/O, IP-Camera or other Ethernet switches. In addition, there are three different power inputs to enhance its reliability, two supplied by terminal block, and one by power jack to avoid interruption caused by power down. When the primary DC power input fails, the backup power input will take over immediately to guarantee a non-stop operation.



Connections of Ethernet devices

## Dimensions



(Unit=mm)

## Specifications

ORing Switch Model	IES-1082GP
<b>Physical Ports</b>	
10/100Base-T(X) Ports in RJ45 Auto MDI/MDIX	8
1000Base-X SFP ports	2
<b>Technology</b>	
Ethernet Standards	IEEE 802.3 for 10Base-T IEEE 802.3u for 100Base-TX IEEE 802.3z for 1000Base-X IEEE 802.3x for Flow control
MAC Table	8192 MAC addresses
Processing	Store-and-Forward
<b>LED Indicators</b>	
Power Indicator	Green : Power LED x 3
Fault Indicator	Amber : Indicates PWR1 or PWR2 failure occurred
10/100Base-T(X) RJ45 Port Indicator	Green for port Link/Act. Amber for Duplex/Collision
1000Base-X SFP Port Indicator	Green for port Link/Act.
<b>Fault Contact</b>	
Relay	Relay output to carry capacity of 1A at 24VDC
<b>Power</b>	
Redundant Input Power	Triple DC inputs. 12~48VDC on 7-pin terminal block, 12~45VDC on power jack
Power Consumption (Typ.)	6 Watts
Overload Current Protection	Present
Reverse Polarity Protection	Present on terminal block

Physical Characteristics	
Enclosure	IP-30
Dimensions (W x D x H)	52(W)x106.1(D)x144.3(H) mm (2.05x4.18x5.68 inch.)
Weight (g)	678 g
Environmental	
Storage Temperature	-40 to 85°C (-40 to 185°F)
Operating Temperature	-40 to 70°C (-40 to 158°F)
Operating Humidity	5% to 95% Non-condensing
Regulatory Approvals	
EMI	FCC Part 15, CISPR (EN55022) class A
EMS	EN61000-4-2 (ESD), EN61000-4-3 (RS), EN61000-4-4 (EFT), EN61000-4-5 (Surge), EN61000-4-6 (CS), EN61000-4-8, EN61000-4-11
Shock	IEC60068-2-27
Free Fall	IEC60068-2-32
Vibration	IEC60068-2-6
Safety	EN60950-1
MTBF (Hours) (MIL-HDBK-217F2, GB, GC, 25°C)	367,361
Warranty	5 years

## Ordering Information

IES-1 AA B CC

Code Definition	10/100Base-T(X) Port Number	Additional Port Number	Additional Port Type
<b>Option</b>	- <b>8</b> : 8 ports	- <b>2</b> : 2 ports	- <b>GP</b> : 1000Base-X SFP port

Available Model	Model Name	Description
	IES-1082GP	Industrial 10-port unmanaged Ethernet switch with 8x10/100Base-T(X) and 2x1000Base-X, SFP socket

### Packing List

- IES-1082GP
- DIN-Rail Kit
- Wall-mount Kit
- Quick Installation Guide

### Optional Accessories (Can be purchased separately)

- SFP1G series, 1Gbps SFP optical transceiver
- DR-45 series, 45W DIN-Rail power supply
- DR-75 series, 75W DIN-Rail power supply
- DR-120 series, 120W DIN-Rail power supply
- PAA-121000, 12VDC/1000mA 12W Power Adapter with universal 100 to 240VAC input, US plug
- PAE-121000, 12VDC/1000mA 12W Power Adapter with universal 100 to 240VAC input, EU plug