



**I-7063A**

8-ch Isolated (Wet, 4~30 VDC) DI and 3-ch AC-SSR Output Module



**I-7063AD**



**I-7065A**

4-ch Isolated (Wet, 4~30 VDC) DI and 5-ch AC-SSR Output Module



**I-7065AD**

## Features

- I-7063A(D)
  - 8 Digital Inputs and 3 AC SSR Outputs
- I-7065A(D)
  - 4 Digital Inputs and 5 AC SSR Outputs
- Sink- or Source-type Digital Input
- Form A AC Solid State Relay Output
- No Arcing, No Bounce, and No Switching Noise
- Digital Input Channels can be used as 16-bit Counters
- Configurable Power-on Value and Safe Value Settings
- Built-in Dual Watchdog



## Introduction

The I-7063A module provides 8 digital input channels and 3 AC SSR(Solid State Relay) output channels, and the I-7065A provides 4 digital input channels and 5 AC SSR output channels. All digital input channels can be used as 16-bit counters. In addition, the digital input channels can be selected either as sink- or source-type via wire connections. In comparison to electromechanical relays, SSR technology provides a faster response time and greater electrical endurance. The integration of AC SSR technology also eliminates potential for arcing, bounce, and switching noise. The I-7063AD provides 11 LED indicators and the I-7065AD provides 9 LED indicators that can be used to monitor the status of the digital input and SSR output. There are also options for configuring power-on and safe values. 4 kV ESD protection and 3750 V<sub>DC</sub> intra-module isolation are also provided to enhance noise protection capabilities in industrial environments.

## System Specifications

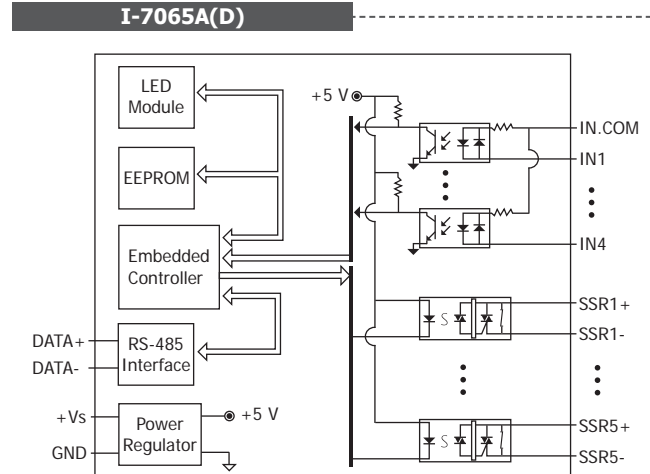
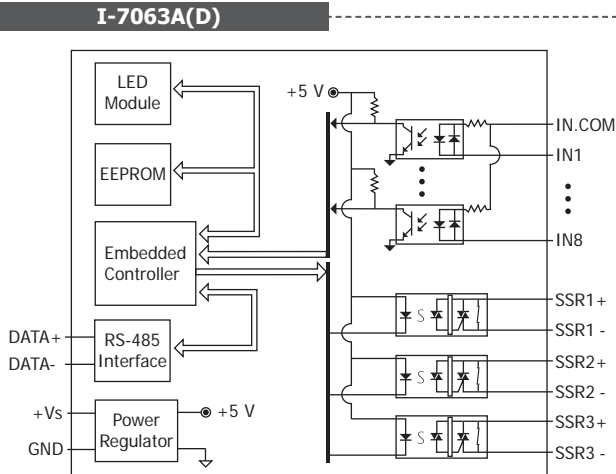
Model	7063A 7065A	7063AD	7065AD
<b>CPU Module</b>			
Watchdog Timer	Module, Communication (Programmable)		
<b>Display</b>			
Type	-	I/O LED Indicator	
<b>Isolation</b>			
Intra-module Isolation	3750 VDC		
<b>EMS Protection</b>			
EFT (IEC 61000-4-4)	±2 kV for Power Line		
ESD (IEC 61000-4-2)	±4 kV Contact for Each Terminal ±8 kV Air for Random Point		
<b>LED Indicators</b>			
Status	1 x Power and Communication		
	7063AD/65AD: DI/Relay Output		
	-	11	9
<b>COM Ports</b>			
Ports	1 x RS-485		
Baud Rate	1200 ~ 115200 bps		
Data Format	(N, 8, 1), (N, 8, 2), (E, 8, 1), (O, 8, 1)		
Protocol	DCON		
<b>Power</b>			
Reverse Polarity Protection	Yes		
Input Range	+10 ~ +30 VDC		
Consumption	0.5 W	1.0 W	
	0.6 W		
<b>Mechanical</b>			
Dimensions (mm)	72 x 123 x 35 (W x L x H)		
Installation	DIN-Rail Mounting		

## I/O Specifications

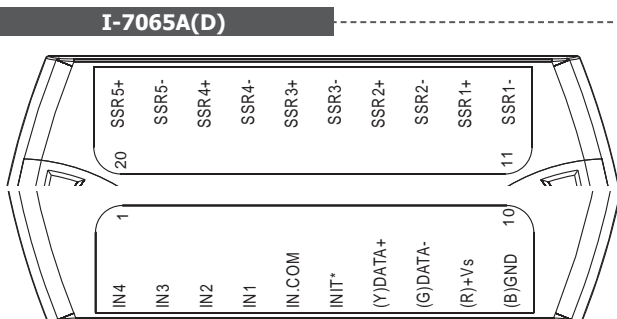
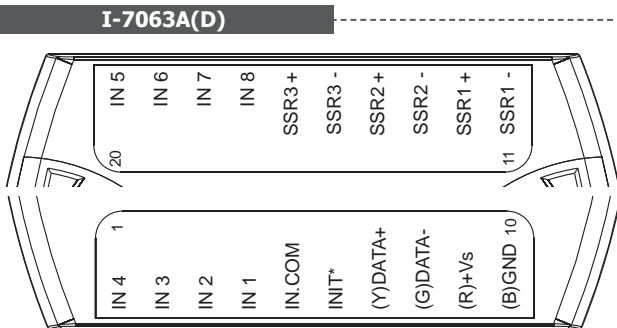
Model	I-7063A(D)	I-7065A(D)
<b>Digital Input/Counter</b>		
Channels	8	4
Type	Wet Contact	
Sink/Source (NPN/PNP)	Sink/Source	
ON Voltage Level	+1 VDC Max.	
OFF Voltage Level	+4 ~ +30 VDC	
Max. Counts	65535 (16-bit)	
Frequency	100 Hz	
Min. Pulse Width	5 ms	
Input Impedance	3 kΩ	
Overvoltage Protection	±35 VDC	
<b>Relay Output</b>		
Channels	3 (Form A)	5 (Form A)
Type	AC-SSR	
Contact Rating	24 ~ 265 VAC @ 1A	
Leakage Current	1.5 mA	
Operate Time	1/2 cycle + 1 ms	
Release Time	1/2 cycle + 1 ms	
Electrical Endurance	Long Life, No Arcing, No Bounce, No Switching Noise	
Power on Value	Programmable	
Safe Value	Programmable	

<b>Environment</b>	
Operating Temperature	-25 ~ +75°C
Storage Temperature	-40 ~ +85°C
Humidity	10 ~ 95% RH, Non-condensing

## Internal I/O Structure



## Pin Assignments



## Wire Connections

DI/Counter	ON State Readback as 1	OFF State Readback as 0
Sink	OPEN or <1 VDC	+4 ~ +30 VDC
Source	OPEN or <1 VDC	+4 ~ +30 VDC

Output Type	ON State Readback as 1	OFF State Readback as 0
AC-SSR Output		

## Ordering Information

<b>I-7063A CR</b>	8-ch Isolated (Wet, 4~30 VDC) DI and 3-ch AC-SSR Output Module using DCON Protocol (Blue Cover) (RoHS)
<b>I-7063AD CR</b>	8-ch Isolated (Wet, 4~30 VDC) DI and 3-ch AC-SSR Output Module with LED Display using DCON Protocol (Blue Cover) (RoSH)
<b>I-7065A CR</b>	4-ch Isolated (Wet, 4~30 VDC) DI and 5-ch AC-SSR Output Module using DCON Protocol (Blue Cover) (RoHS)
<b>I-7065AD CR</b>	4-ch Isolated (Wet, 4~30 VDC) DI and 5-ch AC-SSR Output Module with LED Display using DCON Protocol (Blue Cover) (RoSH)

## Accessories

<b>tM-7520U CR</b>	Tiny Isolated RS-232 to RS-485 Converter (RoHS)
<b>tM-7561 CR</b>	Tiny USB to Isolated RS-485 Converter with CA-USB18 Cable (RoHS)
<b>tM-SG4 CR</b>	RS-485 Pull-high/Pull-low and Termination Resistor Module (RoHS)

<b>I-7514U-G CR</b>	Isolated 4-channel RS-485 Repeater/Hub/Splitter (Gray Cover) (RoHS)
<b>SG-770 CR</b>	7/14 channel Surge Protector (RoHS)
<b>SG-3000 Series</b>	Signal Conditioning Modules for Thermocouple, RTD, DC Voltage, DC Current and Power Input Transformers