



# ET-2260 Quick Start

v1.2, Jun. 2018

## What's in the box?

The package includes the following items:



ET-2260 Module x 1



Quick Start x1  
(This Document)

## Related Information

- ET-2200 Series Product Page:  
[http://www.icpdas.com/root/product/solutions/remote\\_io/ethernet\\_io/petl-7000\\_tpet\\_tet/petl\\_series\\_main\\_page.html](http://www.icpdas.com/root/product/solutions/remote_io/ethernet_io/petl-7000_tpet_tet/petl_series_main_page.html)
- Documentation & Firmware:  
<http://ftp.icpdas.com.tw/pub/cd/6000cd/napdos/et2200/>
- NS-205/MDR-20-24 Product Page (optional):  
[http://www.icpdas.com/root/product/solutions/industrial\\_ethernet\\_switch/ns-205.html](http://www.icpdas.com/root/product/solutions/industrial_ethernet_switch/ns-205.html)  
[http://www.icpdas.com/root/product/solutions/accessories/power\\_supply/mdr-20-24.html](http://www.icpdas.com/root/product/solutions/accessories/power_supply/mdr-20-24.html)

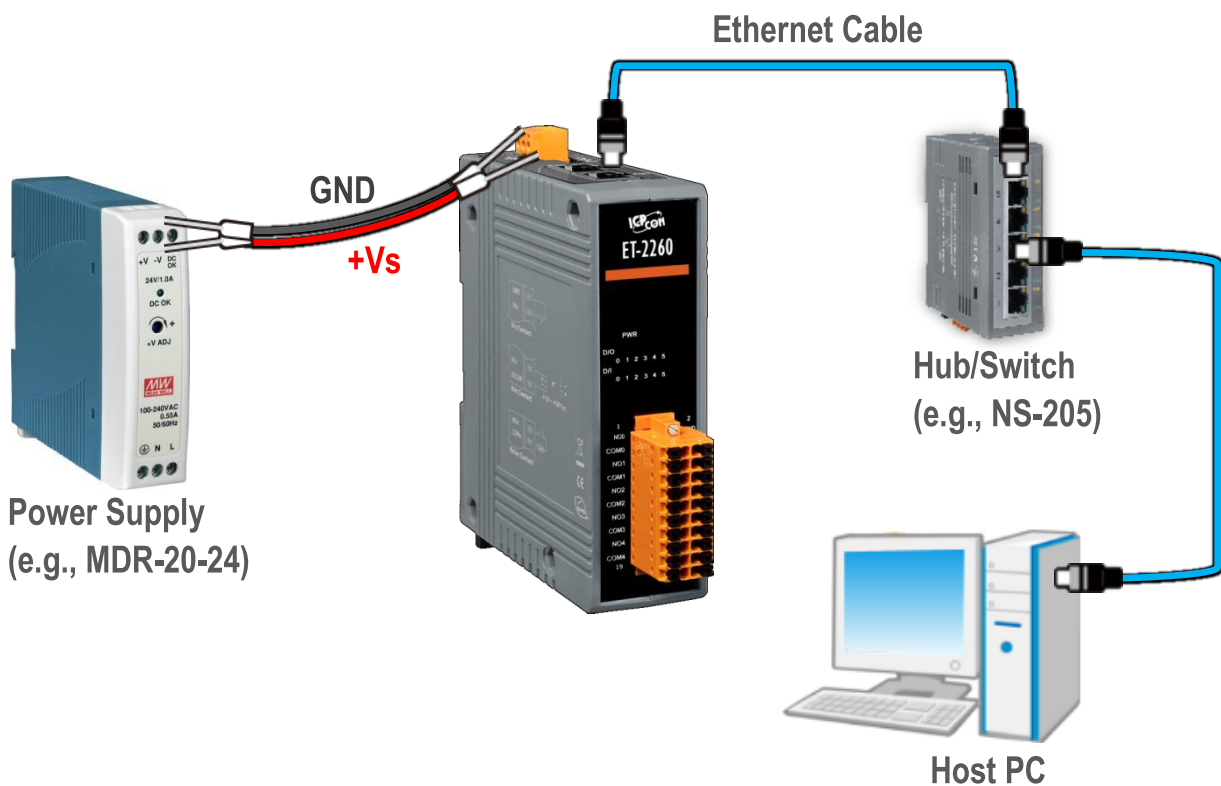
# 1 Connecting the Power and Host PC

## 1) Make sure your PC has workable network settings.

Disable or well configure your Windows firewall and Anti-Virus firewall first, else the “**Search Servers**” on **Chapter 5** may not work. (Please contact with your system Administrator)

## 2) Connect both the ET-2260 and your PC to the same sub network or the same Ethernet switch.

## 3) Supply power (+10~+30 VDC) to the ET-2260.



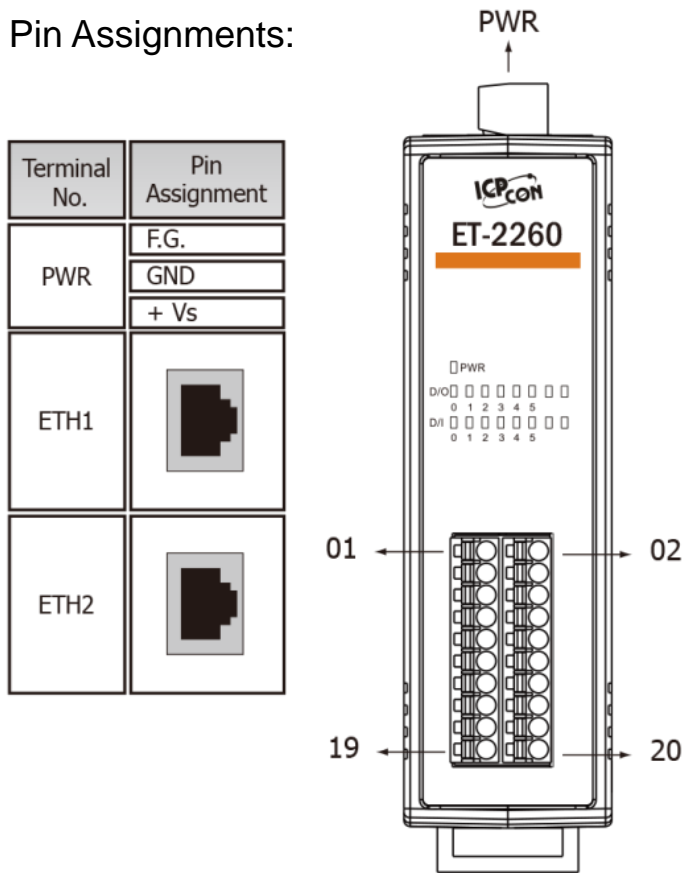
## 4) Verify that the “PWR” LED indicator on the ET-2260 is flashing.



# 2

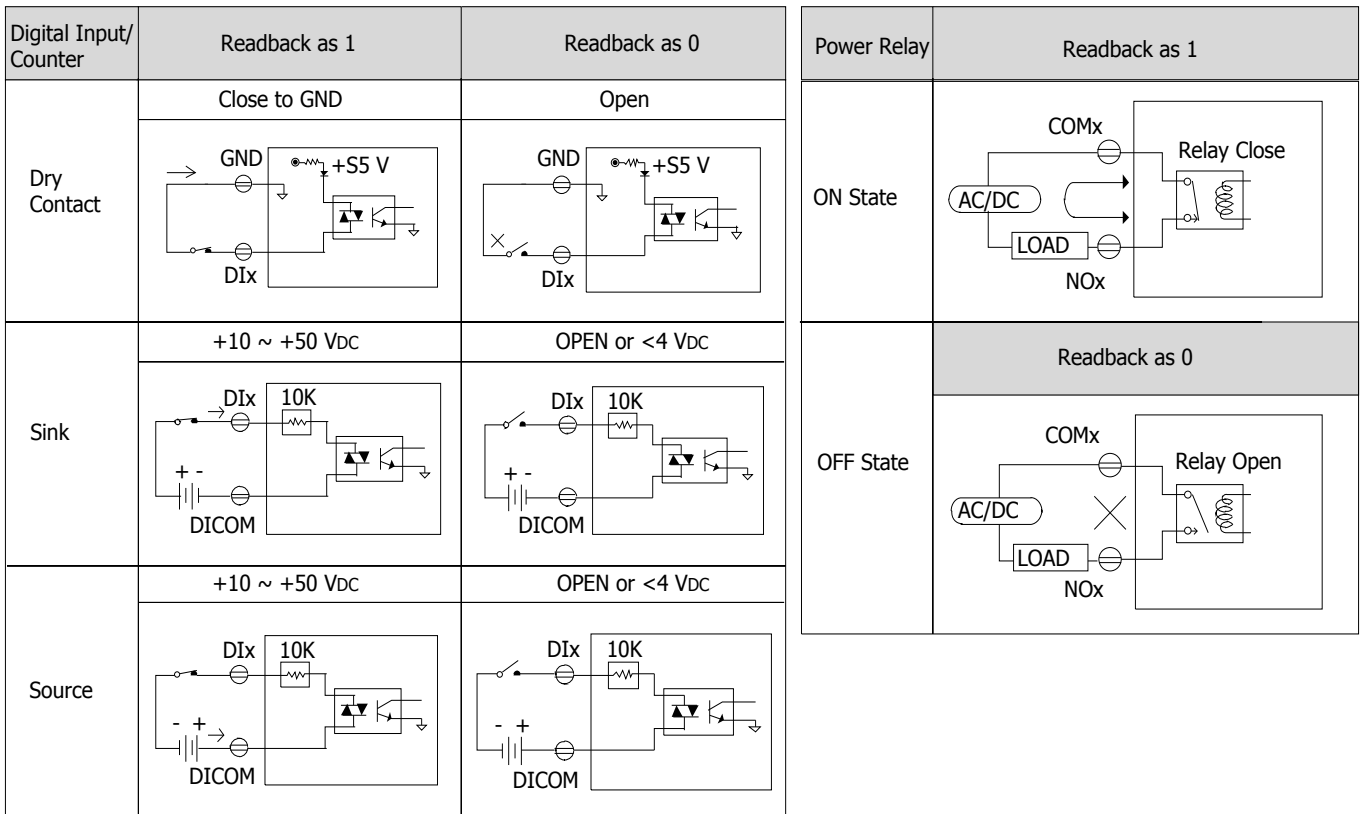
## Pin Assignments & Wiring Note

### ➤ Pin Assignments:



Terminal No.	Pin Assignment	Pin Assignment	Terminal No.
01	NO0	GND	02
03	COM0	DI0	04
05	NO1	DI1	06
07	COM1	DI2	08
09	NO2	DI3	10
11	COM2	DI4	12
13	NO3	DI5	14
15	COM3	DICOM	16
17	NO4	NO5	18
19	COM4	COM5	20

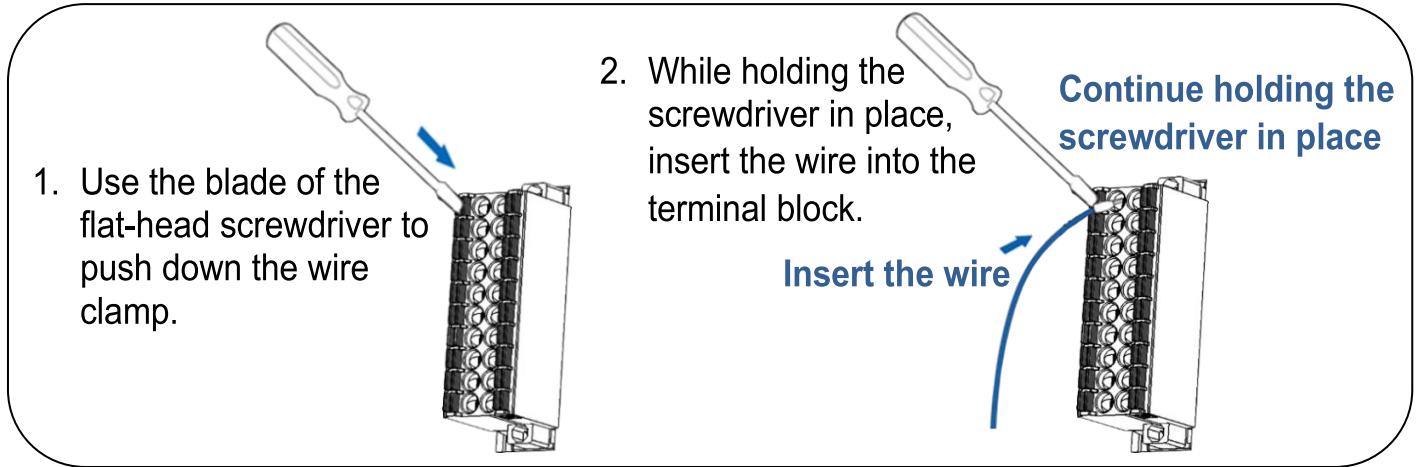
### ➤ Wire Connections:



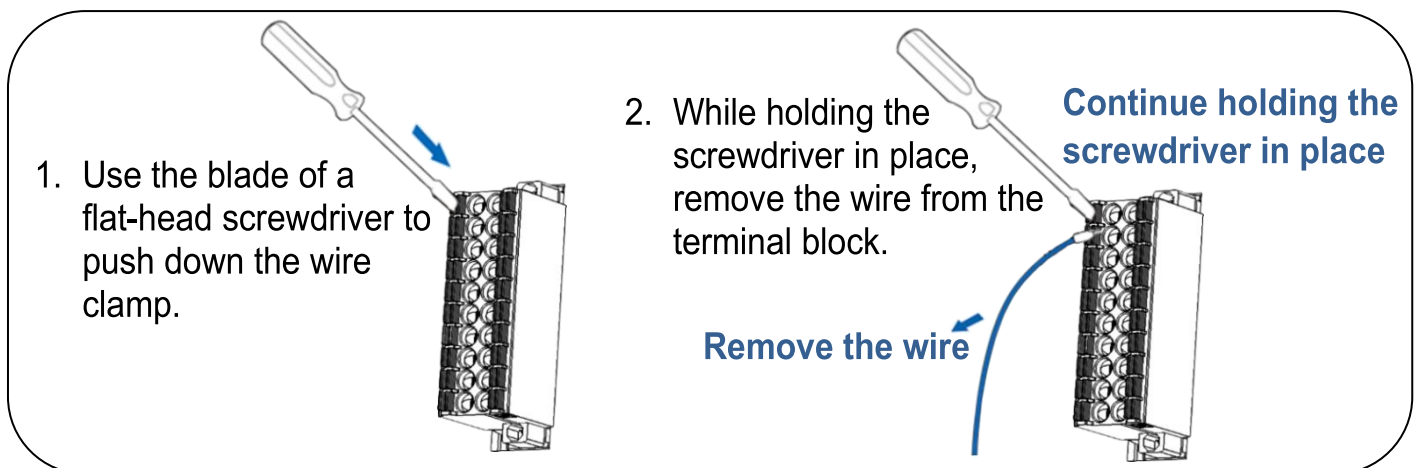
# 3

## Wiring the DI and DO for Self-test

### ➤ A tip for connecting the wire to the connector

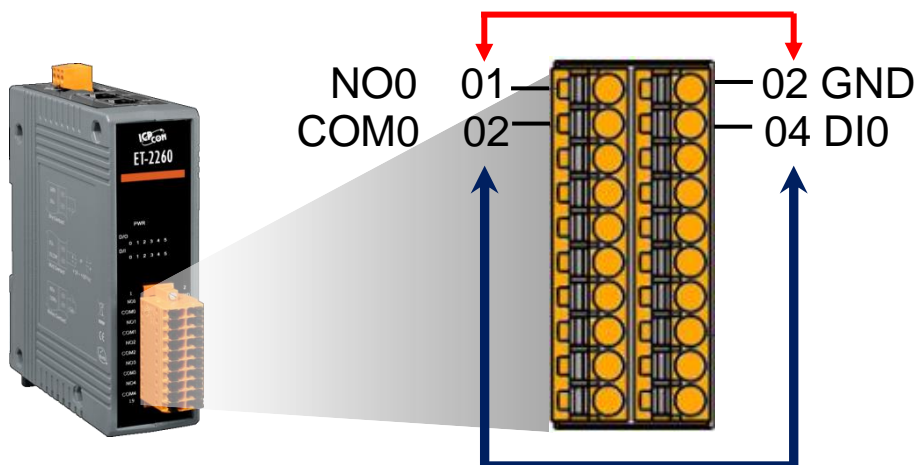


### ➤ A tip for removing the wire from the connector



1) Connect the **NO0 pin (Pin01)** to the **GND pin (Pin02)**.

2) Connect the **COM0 pin (Pin03)** to the **DI0 pin (Pin04)**.



# 4 Modbus Address

## ➤ (0xxxx) DO address:

Begin address	Points	Description	Bits Per Point	Range	Access Type
0 (0x0)	1~6	Digital Output Channels	1	0: OFF, 1: ON	R/W
32 (0x20)	1	Clears the status of all high latched DI channels	1	1: Clear	W
33 (0x21)	1	Clears the status of all low latched DI channels	1	1: Clear	W
⋮	⋮	⋮	⋮	⋮	⋮
190 (0xBE)	1~6	Enables frequency measurement for all DI Channels	1	0: Disable 1: Enable (Default: 0)	R/W/F
235 (0xEB)	1~6	Sets the Power-on value for all DO Channels	1	0: OFF, 1: ON (Default: 0)	R/W/F
267 (0x10B)	1~6	Sets the Safe value for all DO Channels	1	0: OFF, 1: ON (Default: 0)	R/W/F

“R”: Read; “W”: Write; “F”: Settings are recorded in flash memory by default

## ➤ (1xxxx) DI address:

Begin address	Points	Description	Bits Per Point	Range	Access Type
0 (0x0)	1~6	Digital Input	1	0:Off 1:On	R
32 (0x20)	1~6	Digital latched status (high)	1	0:no 1:latched	R
64 (0x40)	1~6	Digital latched status (low)	1	0:no 1:latched	R

“R”: Read

### Note

For detail “DI/DO Modbus Address” information, refer to Section 6.3 Modbus Register Table of user’s manual (<http://ftp.icpdas.com/pub/cd/6000cd/napdos/et2200/document/>).

# 5 Configuring Network Settings

1) Run the eSearch Utility.

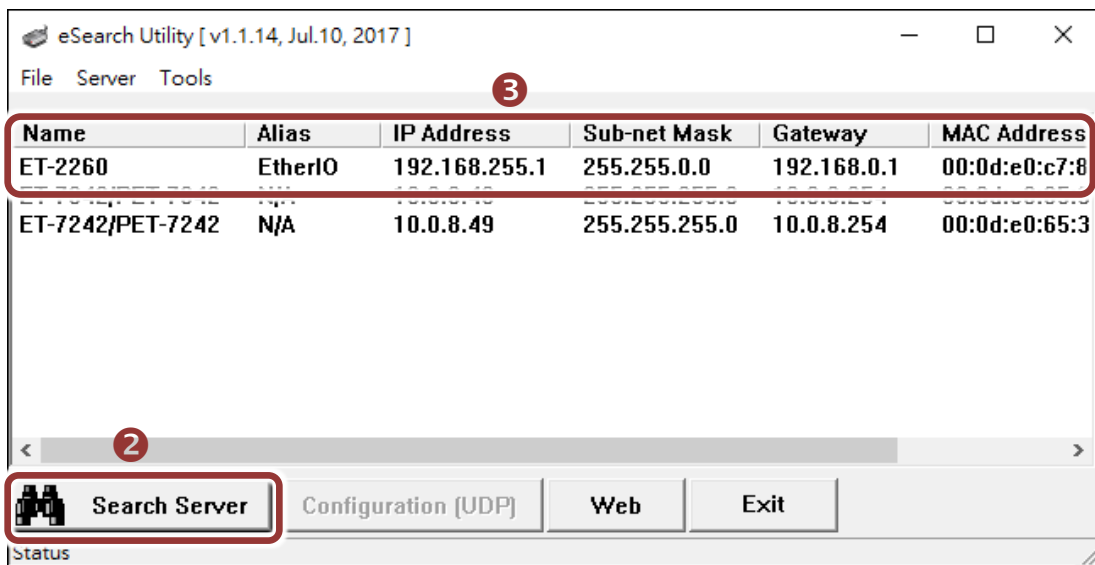
The eSearch Utility is located at:

<http://ftp.icpdas.com/pub/cd/6000cd/napdos/software/esearch/>



2) Click the “**Search Servers**” to search your ET-2260.

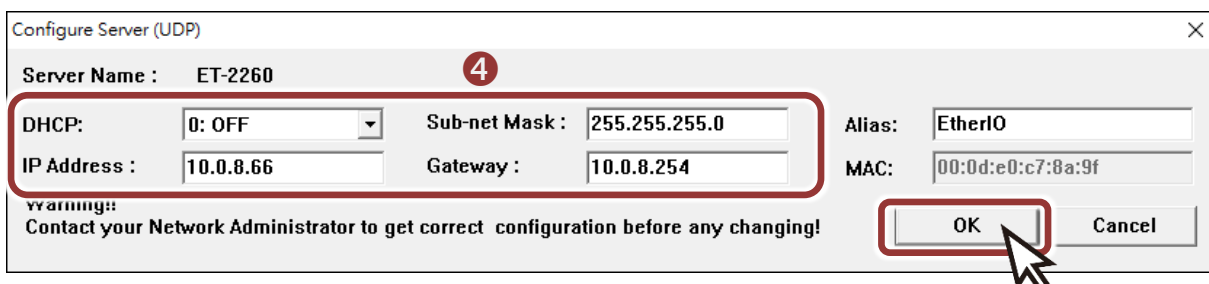
3) Double-click your ET-2260 to configure the settings



## Factory Default Settings of ET-2260:

IP Address	192.168.255.1
Subnet Mask	255.255.0.0
Gateway	192.168.0.1

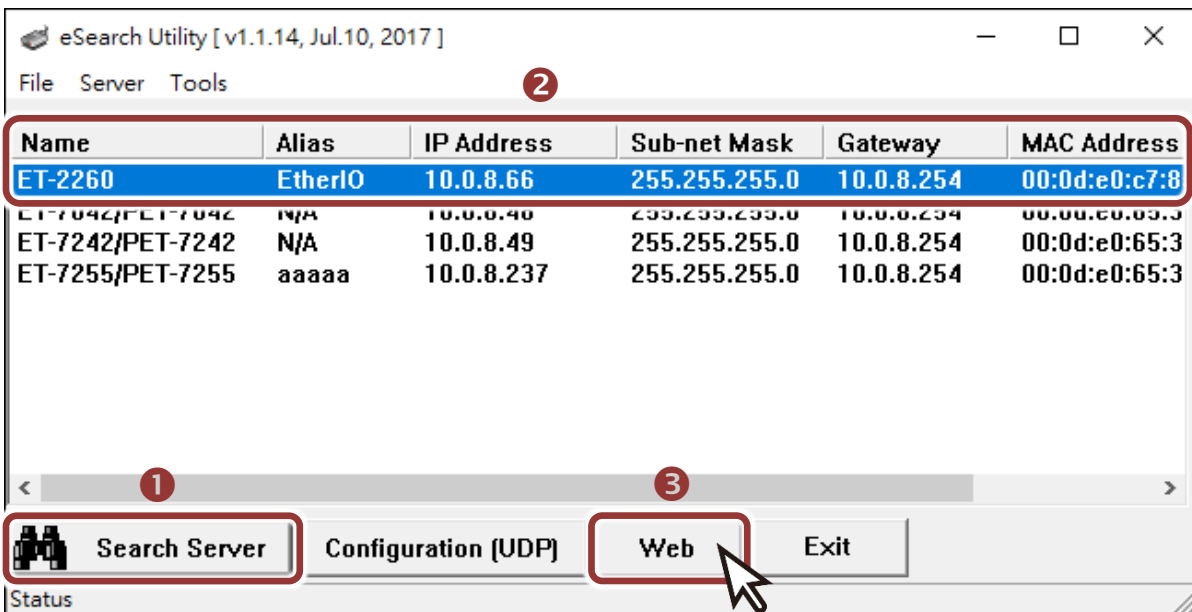
4) Contact your Network Administrator to obtain a correct network configuration (such as **IP/Mask/Gateway**). **Enter the network settings** and click “**OK**”. **⚠ Note: The ET-2260 will use the new settings 2 seconds later.**



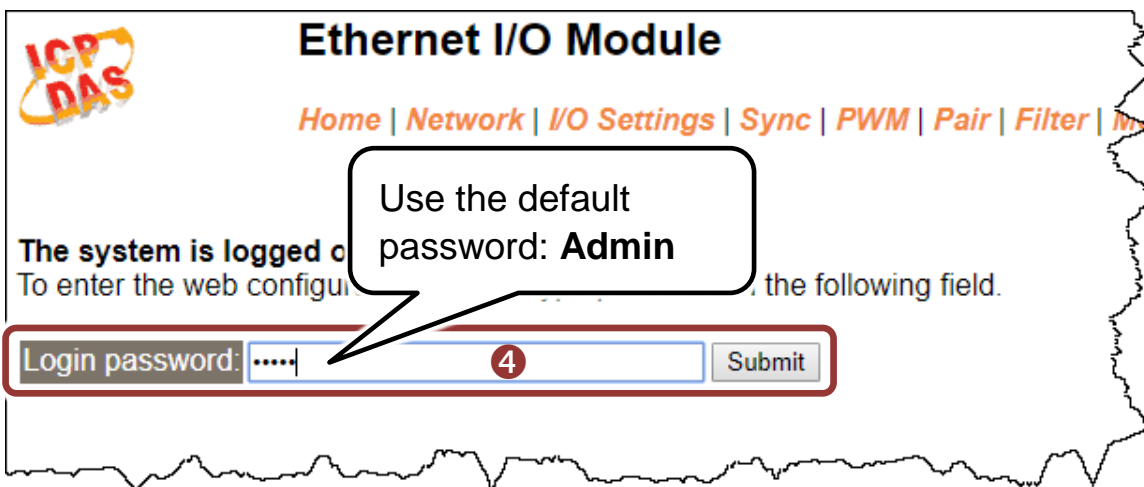
# 6

## Testing your Ethernet I/O Module

- 1) Wait 2 seconds and click “**Search Servers**” button again to ensure the ET-2260 is working well with new configuration.
- 2) Click the name of ET-2260 to select it.
- 3) Click the “**Web**” button to log in to the web configuration pages.  
(Or enter the URL address of the ET-2260 in the address bar of the browser.)



- 4) Enter the password (default: **Admin**) in the “login password” field and click “**Submit**”.



5) In the “Home” page allows a simple test to be performed to verify the Digital Input and Output functionality.

**Ethernet I/O Module**

5 [Home](#) | [Network](#) | [I/O Settings](#) | [Sync](#) | [PWM](#) | [Pair](#) | [Filter](#) | [Monitor](#) | [Change Password](#) | [Logout](#)

Model Name:	ET-2260	Alias Name:	EtherIO
Firmware Version:	v1.4.7 [Nov.20 2017]	MAC Address:	00-0d-e0-c7-8a-9f
IP Address:	10.0.8.100	Initial Switch:	OFF
TCP Port Timeout: (Socket Watchdog, Seconds):	180	System Timeout: (Network Watchdog, Seconds):	0

**Digital I/O (Modbus Address: DO=00000 to 00015, DI=10000 to 10015)**

DI Channel	Value (10000)	Counter (30016) / Frequency (30064)	High Latched (10032)	Low Latched (10064)
DI0:	<input type="radio"/>	-	-	-
DI1:	<input type="radio"/>	-	-	-

6) In the “Digital I/O” section, click the “DO0” button to ON (Red).

7) The corresponding DI becomes green for DI0 is ON.

**Ethernet I/O Module**

[Home](#) | [Network](#) | [I/O Settings](#) | [Sync](#) | [PWM](#) | [Pair](#) | [Filter](#) | [Monitor](#) | [Change Password](#) | [Logout](#)

**Digital I/O (Modbus Address: DO=00000 to 00015, DI=10000 to 10015)**

DI Channel	Value (10000)	Counter (30016) / Frequency (30064)	High Latched (10032)	Low Latched (10064)
DI0:	<input checked="" type="radio"/>	-	-	-
DI1:	<input type="radio"/>	-	-	-
DI2:	<input type="radio"/>	-	-	-
DI3:	<input type="radio"/>	-	-	-
DI4:	<input type="radio"/>	-	-	-
DI5:	<input type="radio"/>	-	-	-
DI6:	<input type="radio"/>	-	-	-