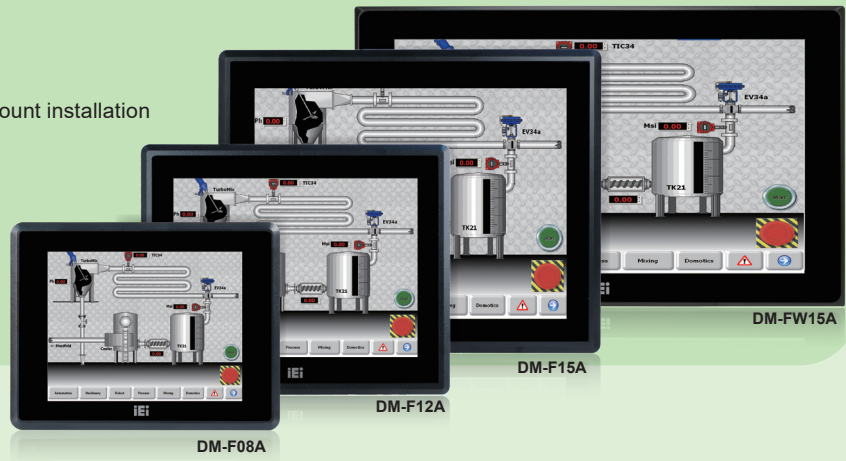


Heavy Industrial Monitor

8"~15.6" DM-F IP65 Industrial Monitor

Features

- Robust IP65 aluminum front bezel
- Aesthetic ultra-thin bezel for seamless panel mount installation
- DC input
- DVI / VGA flexible video input solution
- Resistive single touch
- Wide temperature support



Specifications

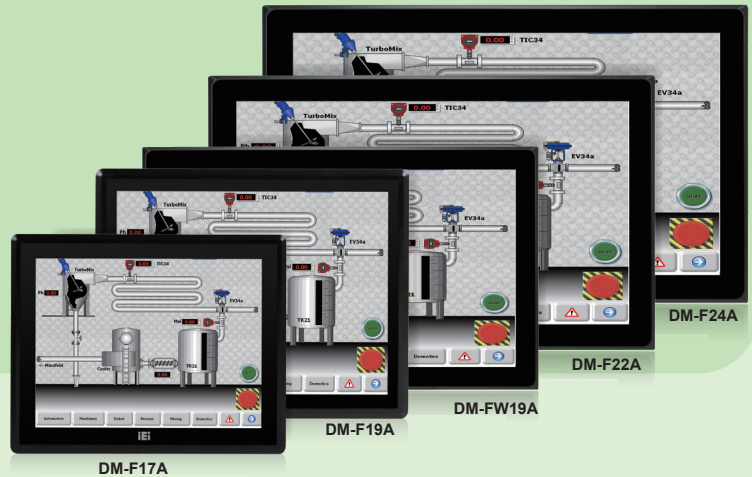
| Model | | DM-F08A | DM-F12A | DM-F15A | DM-FW15A |
|--------------------------|---------------------------------------|--|--|-------------------------|------------------------|
| LCD | LCD Display | 8" (4:3) | 12.1" (4:3) | 15" (4:3) | 15.6" (16:9) |
| | Max. Resolution | 800 x 600 | 1024 (W) x 768 (H) | 1024 (W) x 768 (H) | 1366 (W) x 768 (H) |
| | Brightness (cd/m ²) | 500 | 600 | 500 | 400 |
| | Contrast Ratio | 500:1 | 700 : 1 | 800 : 1 | 500:1 |
| | LCD Color | 262K | 16.2M | 16.2M | 16.2M |
| | Pixel Pitch (mm) | 0.0675 x 0.2025 | 0.24 x 0.24 | 0.29 x 0.29 | 0.252 x 0.252 |
| | Viewing Angle (H-V) | 140°/120° | 160° /140° | 160° / 150° | 170° / 160° |
| | Backlight MTBF (Hrs) | 50000 | 50000 | 70000 | 50000 |
| Touchscreen & Controller | | 5-wire resistive single touch window/ Penmount 6000 | 5-wire resistive single touch window/ Penmount 6000 (Anti-glare Surface) 10-point Projected capacitive touch window, 6H/EETI EXC3188 (Anti-UV, Anti-glare Surface) | | |
| I/O Ports | | 1 x VGA (DB-15) 1 x DVI 1 x USB 2.0 (touch) 1 x RS-232 (reserved for resistive touch ATO) 1 x Lockable 12V DC jack | 1 x VGA (DB-15) 1 x HDMI 1 x DisplayPort 1.1 1 x USB 2.0 (touch) 1 x RS-232 (reserved for resistive touch ATO) 1 x Lockable 9V-36V DC jack 1 x 9V-36V terminal block | | |
| OSD | OSD Button | 5-key membrane OSD keypad | 7-key membrane OSD keypad | | |
| | Smart OSD Software | Smart OSD Software | | | |
| Physical | Construction Material | Aluminum front frame and sheet metal rear cover | | | |
| | Mounting | Panel Mount/ Rack Mount 75 x 75 VESA Mount | Panel Mount/ Rack Mount 100 x 100 VESA Mount | | |
| | Enclosure Color | Black C | | | |
| | Dimensions (mm) | 222.2 x 182.2 x 42.7 | 262.2 x 322.2 x 40.5 | 303 x 378.5 x 43.2 | 400.1 x 253.3 x 52.9 |
| | Cutout Dimensions (mm) | 206 x 154 | 244.8 x 304.8 | 285.6 x 361.1 | 379.1 x 232.3 |
| | Weight (kg) Net/Gross | 1.33 / 4.5 | 2.7 / 4.9 | 3.5 / 5.5 | 4 / 6.5 |
| Environment | Operating Temperature (with air flow) | -20°C ~ 60°C (with air flow) | | | |
| | Storage Temperature | -20°C ~ 70°C | | | |
| | Humidity | 10% to 95% (non-condensing) | | | |
| | IP Level | IP 65 compliant front panel | | | |
| | Safety and EMC | CE & FCC certified | | | |
| Power Input | | 12V DC | 9V~36V DC | | |
| Power consumption | | 12V @ 0.5A | 9V @ 2.2A 36V @ 0.5A | 9V @ 1.6A 36V @ 0.4A | 9V @ 1.3 36V @ 0.33 |

Heavy Industrial Monitor

17"~23.8" DM-F IP65 Industrial Monitor

Features

- Robust IP65 aluminum front bezel
- Aesthetic ultra-thin bezel for seamless panel mount installation
- Wide range 9V~36V DC input
- HDMI / DisplayPort / VGA flexible video input solution
- Projected capacitive multi-touch and resistive single touch options
- Wide temperature support



Specifications

| Model | | DM-F17A | DM-FW19A | DM-F19A | DM-F22A | DM-F24A |
|--------------------------|---------------------------------------|---|---------------------------|-------------------------|--|-------------------------------------|
| LCD | LCD Display | 17" (5:4) | 18.5" (16:9) | 19" (5:4) | 21.5" (16:9) | 23.8" (16:9) |
| | Max. Resolution | 1280 (W) x 1024 (H) | 1366 (W) x 768 (H) | 1280 (W) x 1024 (H) | 1920 (W) x 1080 (H) | 1920 (W) x 1080 (H) |
| | Brightness (cd/m ²) | 350 | 400 | 350 | 250 | 250 |
| | Contrast Ratio | 1000 : 1 | 1000 : 1 | 1000 : 1 | 1000 : 1 | 3000 : 1 |
| | LCD Color | 16.7M | | | | |
| | Pixel Pitch (mm) | 0.26 x 0.26 | 0.3 x 0.3 | 0.294 x 0.294 | 0.25 x 0.25 | 0.28 x 0.28 |
| | Viewing Angle (H-V) | 170° / 160° | | | 170° / 160° | 178° / 178° |
| | Backlight MTBF (Hrs) | 50000 | | | 30000 | 30000 |
| Touchscreen & Controller | | 5-wire resistive single touch window, 3H/Penmount 6000 (Anti-glare Surface) 10-point Projected capacitive touch window, 6H/EETI EXC3188 (Anti-UV, Anti-glare Surface) | | | 10-point Projected capacitive touch window, 6H/EETI EXC3188 (Anti-UV, Anti-glare Surface) | |
| I/O Ports | | 1 x VGA (DB-15) 1 x DVI (F19A only) 1 x HDMI (F17A & FW19A only) 1 x DisplayPort 1.1 1 x USB 2.0 (touch) 1 x RS-232 (reserved for resistive touch ATO) 1 x Lockable 9V-36V DC jack 1 x 9V-36V terminal block | | | 1 x VGA (DB-15) 1 x HDMI 1 x DisplayPort 1.1 1 x USB 2.0 (touch) 1 x RS-232 (reserved for resistive touch ATO) 1 x Lockable 9V-36V DC jack 1 x 9V-36V terminal block | |
| OSD | OSD Button | 7-key membrane OSD keypad | | | | |
| | Smart OSD Software | Smart OSD Software | | | | |
| Physical | Construction Material | Aluminum front frame and sheet metal rear cover | | | | |
| | Mounting | Panel Mount/ Rack Mount 100 x 100 VESA Mount | | | Panel Mount 100 x 100 VESA Mount | Panel Mount 100 x 100 VESA Mount |
| | Enclosure Color | Black C | | | | |
| | Dimensions (mm) | 341.4 x 408.4 x 49.3 | 468.8 x 288.2 x 48.9 | 372.4 x 447.4 x 49.57 | 358.4 x 550.4 x 49.1 | 382 x 600 x 49.4 |
| | Cutout Dimensions (mm) | 324 x 391 | 447.8 x 267.2 | 430 x 355 | 340 x 532 | 358.6 x 576.6 |
| | Weight (kg) Net/Gross | 4.4 / 7.1 | 5 / 8.1 | 5.4 / 8.4 | 6.3 / 9.6 | 7.6 / 10.9 |
| Environment | Operating Temperature (with air flow) | -20°C ~ 60°C (with air flow) | | | -10°C ~ 50°C | -10°C ~ 50°C |
| | Storage Temperature | -20°C ~ 70°C | -20°C ~ 70°C | -20°C ~ 70°C | -20°C ~ 60°C | -20°C ~ 60°C |
| | Humidity | 10% to 95% (non-condensing) | | | | |
| | IP Level | IP 65 compliant front panel | | | | |
| | Safety and EMC | CE & FCC certified | | | | |
| Power input | | 9V~36V DC | | | | |
| Power consumption | | 9V @ 2.6A 36V @ 0.6A | 9V @ 1.33A 36V @ 0.35A | 9V @ 3.3A 36V @ 0.8A | 9V @ 2.5A 36V @ 0.6A | 9V @ 3.4A 36V @ 0.8A |

Ordering Information

| Part No. | Description |
|-----------------|--|
| DM-F08A/R-R21 | 8" 500 cd/m ² SVGA LCD monitor, Aluminum front panel, Black color, W/ USB resistive touch screen, 12V DC input, Powder paint, R21 |
| DM-F12A/R-R31 | 12" 600 cd/m ² XGA LCD monitor, Aluminum die casting front panel, Black color, W/ USB resistive touch screen, 9 ~36V DC input, Powder paint, R31 |
| DM-F12A/PC-R32 | 12" 600 cd/m ² XGA LCD monitor, Aluminum die casting front panel, Black color, W/ USB projected capacitive touch screen, 9 ~36V DC input, Powder paint, R32 |
| DM-F15A/R-R41 | 15" 450 cd/m ² XGA LCD monitor, Aluminum die casting front panel, Black color, W/ USB resistive touch screen, 9 ~36V DC input, Powder paint, R41 |
| DM-F15A/PC-R41 | 15" 450 cd/m ² XGA LCD monitor, Aluminum die casting front panel, Black color, W/ USB projected capacitive touch screen, 9 ~36V DC input, Powder paint, R41 |
| DM-FW15A/PC-R21 | 15.6" 400 cd/m ² 1366x768 LCD monitor, Aluminum front panel, Black color, W/ USB PCAP touch screen, 9 ~36V DC input, Powder paint, R21 |
| DM-F17A/R-R32 | 17" 350 cd/m ² SXGA LCD monitor, Aluminum die casting front panel, Black color, W/ USB resistive touch screen, 9 ~36V DC input, Powder paint, R32 |
| DM-F17A/PC-R32 | 17" 350 cd/m ² SXGA LCD monitor, Aluminum die casting front panel, Black color, W/ USB projected capacitive touch screen, 9 ~36V DC input, Powder paint, R32 |
| DM-FW19A/PC-R21 | 18.5" 400 cd/m ² 1366x768 LCD monitor, Aluminum front panel, Black color, W/ USB PCAP touch screen, 9 ~36V DC input, Powder paint, R21 |
| DM-F19A/R-R31 | 19" 350 cd/m ² SXGA LCD monitor, Aluminum die casting front panel, Black color, W/ USB resistive touch screen, 9 ~36V DC input, Powder paint, R31 |
| DM-F19A/PC-R31 | 19" 350 cd/m ² SXGA LCD monitor, Aluminum die casting front panel, Black color, W/ USB projected capacitive touch screen, 9 ~36V DC input, Powder paint, R31 |
| DM-F22A/PC-R31 | 21.5" 250 cd/m ² FHD LCD monitor, Aluminum die casting front panel, Black color, W/ USB projected capacitive touch screen, 9 ~36V DC input, Powder paint, R31 |
| DM-F24A/PC-R41 | 23.8" 250 cd/m ² FHD LCD monitor, Aluminum front panel, Black color, W/USB projected capacitive touch screen, 9 ~36V DC input, Powder paint, R41 |

Options

| Item | DM-F08A | DM-F12A | DM-F15A | DM-FW15A | DM-F17A | DM-F19A | DM-FW19A | DM-F22A | DM-F24A |
|------------------------|-------------------------|-----------------|--------------------------------|-------------|-----------------|-------------------|----------|------------|------------|
| Arm | ARM-11-RS | ARM-11-RS | N/A | N/A | N/A | N/A | N/A | N/A | N/A |
| Stand | STAND-C12-R10 | STAND-C12-R10 | STAND-C19-R10 STAND-A21-R10 | | | | | | |
| Wall Mount Kit | AFLWK-12 | WK-190MS-R10 | | | | | | | |
| Panel Mount Kit | FPK-07-R10 | FPK-01-R10 | | | FPK-02-R10 | | | FPK-02-R10 | FPK-03-R10 |
| Rack Mount Kit | N/A | FRK12-R11 | FRK15-R11 | FRKW15D-R11 | FRK17-R11 | FRK19D-R11 | N/A | N/A | |
| RS-232 Touch Cable Kit | DM-F-COMKIT-R10 | DM-F-COMKIT-R10 | DM-F-COMKIT-R10 | N/A | DM-F-COMKIT-R10 | DM-F-COMKIT01-R10 | N/A | N/A | |
| Power Adapter | N/A 63040-010060-211-RS | | | | | | | | |

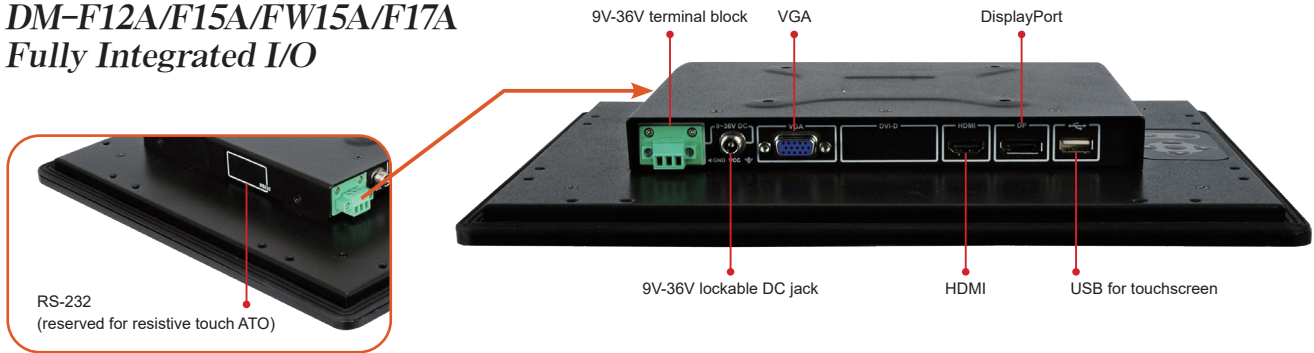
Packing List

| Item | P/N | Q'ty | Remark |
|---------------|---|------|-----------------|
| USB Cable | 32001-006100-100-RS | 1 | For touchscreen |
| VGA Cable | 32000-036200-RS | 1 | |
| Power Adapter | 63040-010036-210-RS (for DM-F65/08A) | | |

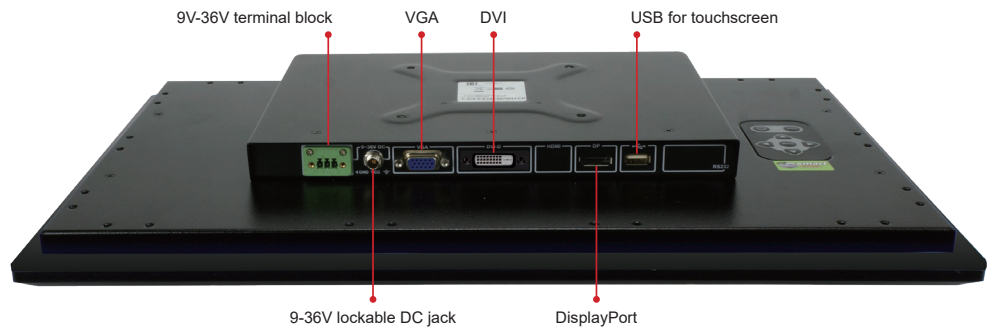
DM-F08A
Fully Integrated I/O



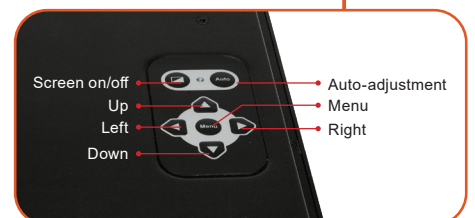
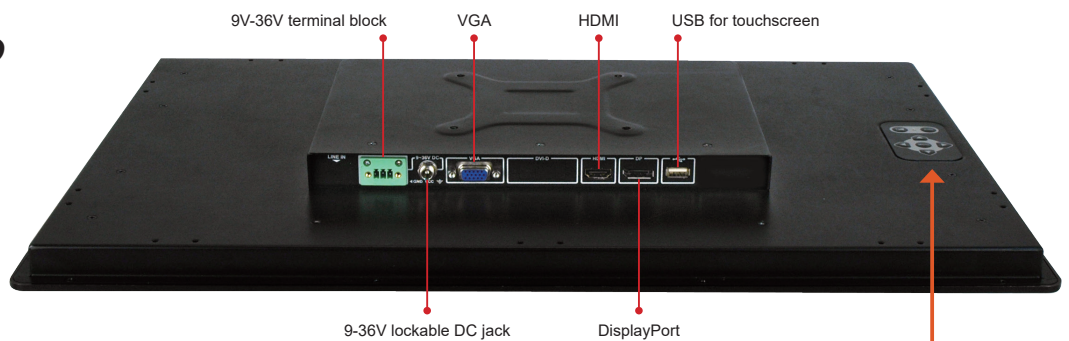
DM-F12A/F15A/FW15A/F17A
Fully Integrated I/O



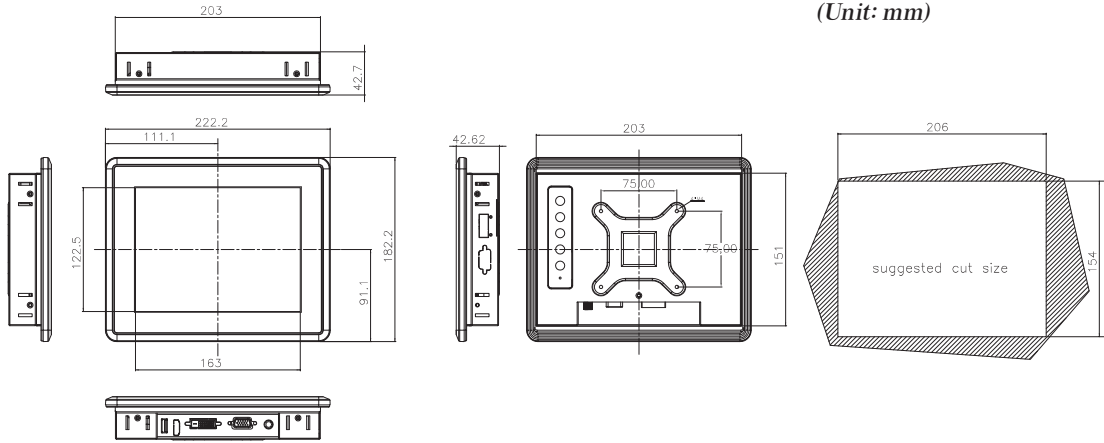
DM-F19A
Fully Integrated I/O



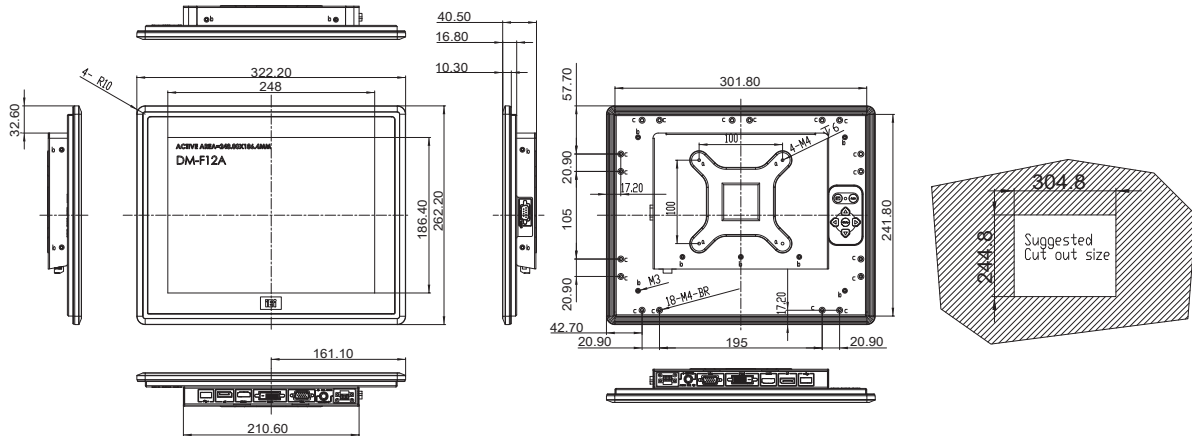
DM-F22A/F24A
Fully Integrated I/O



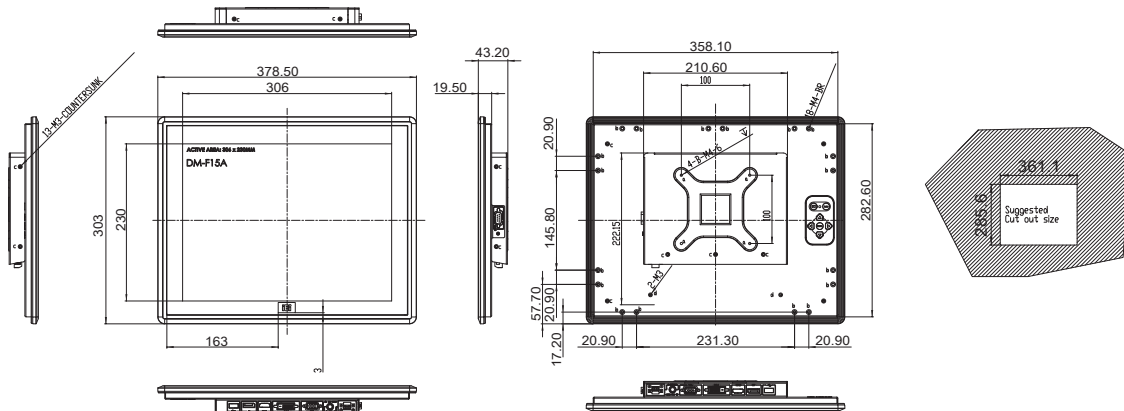
DM-F08A Dimensions
(Unit: mm)



DM-F12A Dimensions
(Unit: mm)

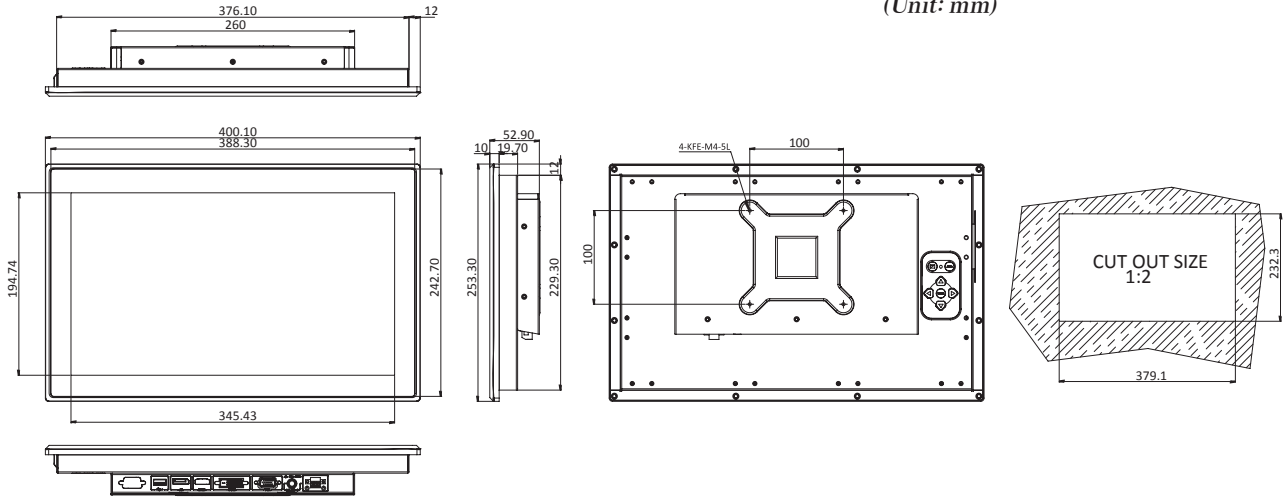


DM-F15A Dimensions
(Unit: mm)



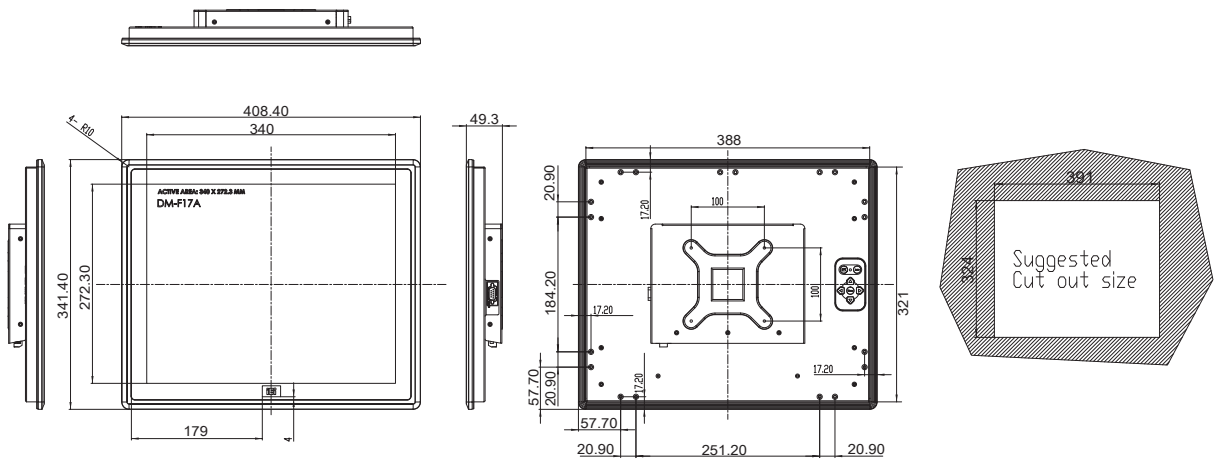
DM-FW15A Dimensions

(Unit: mm)



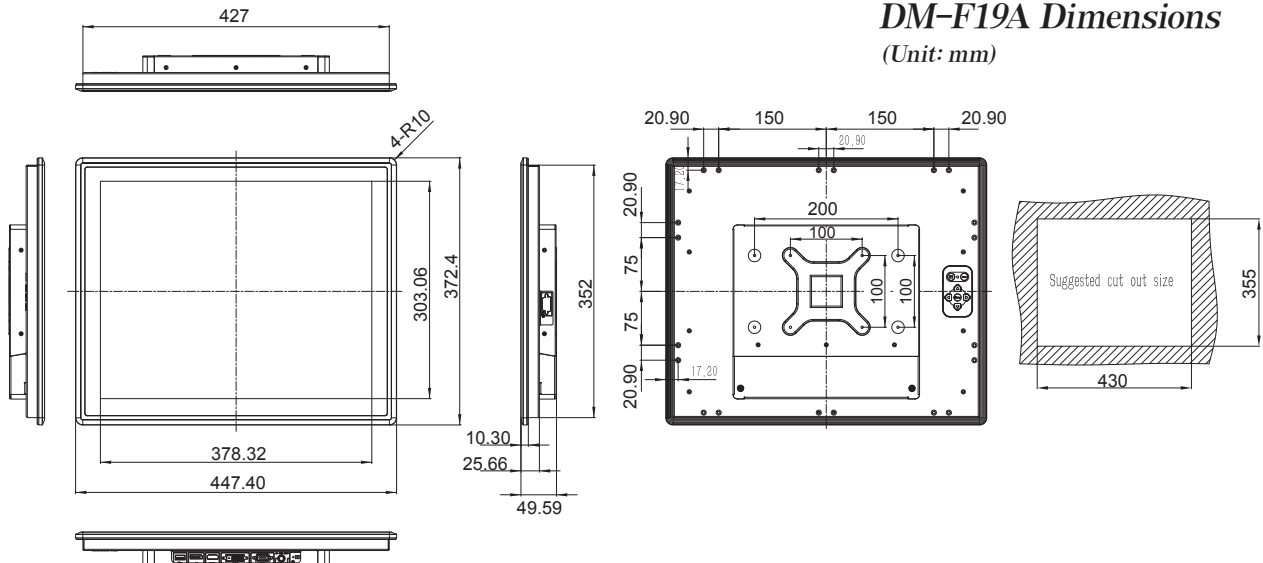
DM-F17A Dimensions

(Unit: mm)

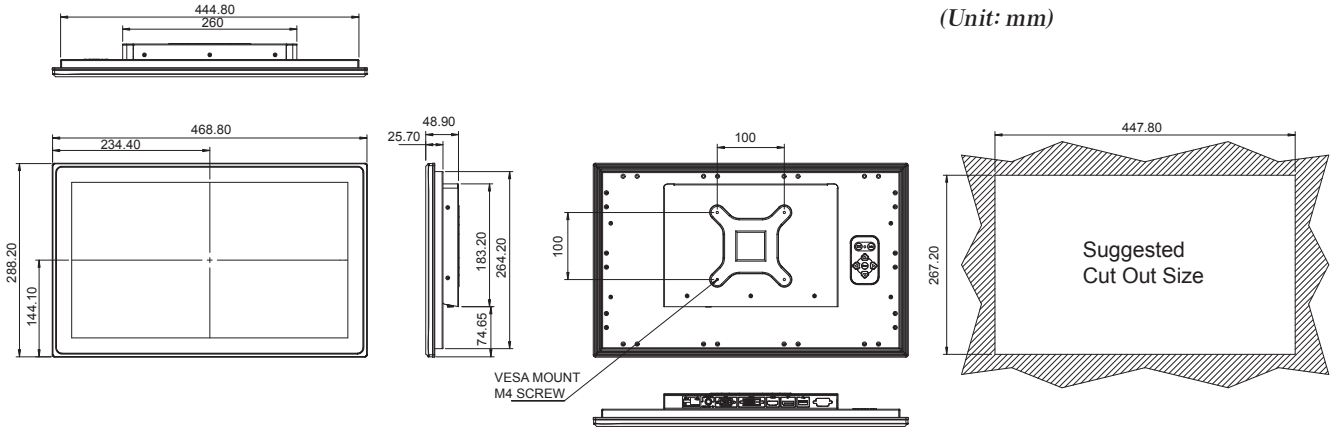


DM-F19A Dimensions

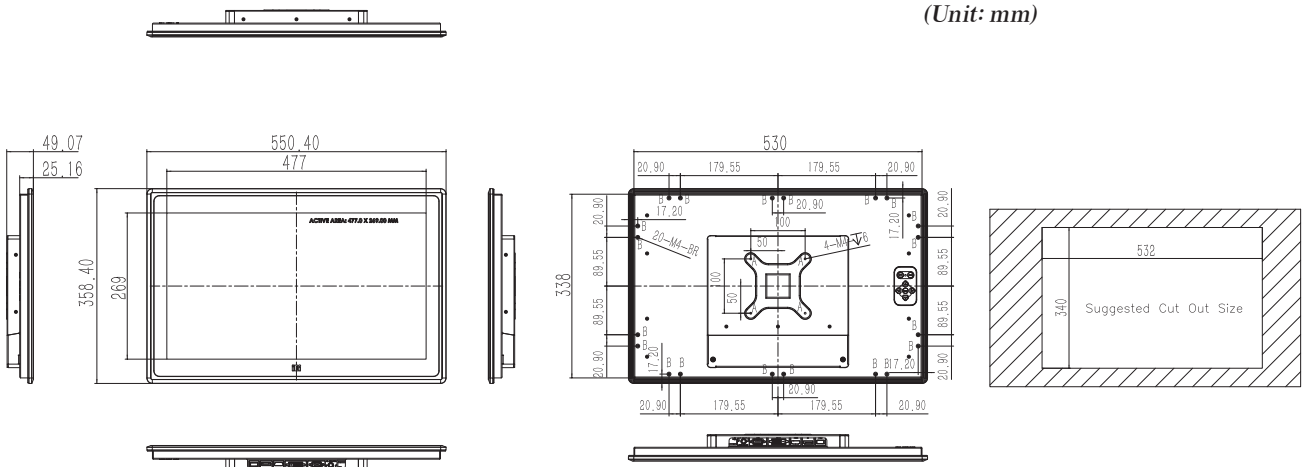
(Unit: mm)



DM-FW19A Dimensions
(Unit: mm)



DM-F22A Dimensions
(Unit: mm)



DM-F24A Dimensions
(Unit: mm)

