



## EIP-2019

Isolated 8-ch DIFF./16-ch S.E. AI  
EtherNet/IP module

### Features

- Transfer protocol: EtherNet/IP
- Powerful 32-bit MCU handles efficient network traffic
- 10/100 Base-TX Ethernet, RJ-45 x 2 (Auto-negotiating, auto MDI/MDIX, LED Indicators)
- Easy firmware update via Ethernet
- Removable terminal block connector
- LED display to indicate the I/O status
- 8-ch analog Inputs
- Internal resistors (125Ω) selectable
- Support cold-junction compensation (CJC)



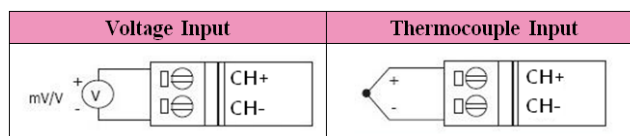
### Introduction

The EIP-2019 is an 8-ch remote analog input module. It supports not only voltage and current (internal resistors selectable) input type but also thermocouple type with B,C,E,J,K,N,R,S,T. There is an automatically cold-junction compensation (CJC) for each channel. The accuracy of the measurement is smaller than 0.1% FSR. The Module is designed as an EtherNet/IP adapter. Users can obtain the input status as well as the connection status of the EIP-2019 by the LEDs indication. In addition, ICPDAS provides software utility to easily configure and test the EIP-2000 modules via Ethernet.

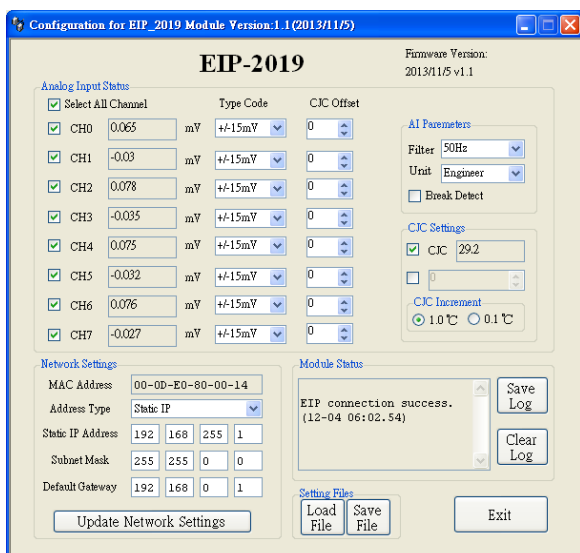
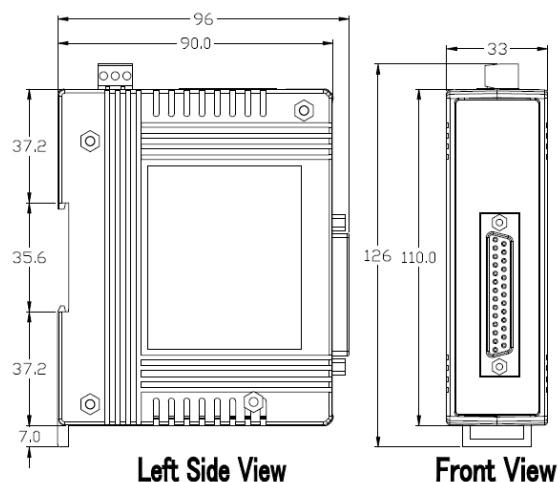
### Utility Features

- Network parameters configuration
- AI parameters configuration
- CJC settings adjustment
- Functions configuration such as Type Code selection.
- Easy test to transmit/receive the I/O status by EtherNet/IP
- Setting files management

### Wire connection



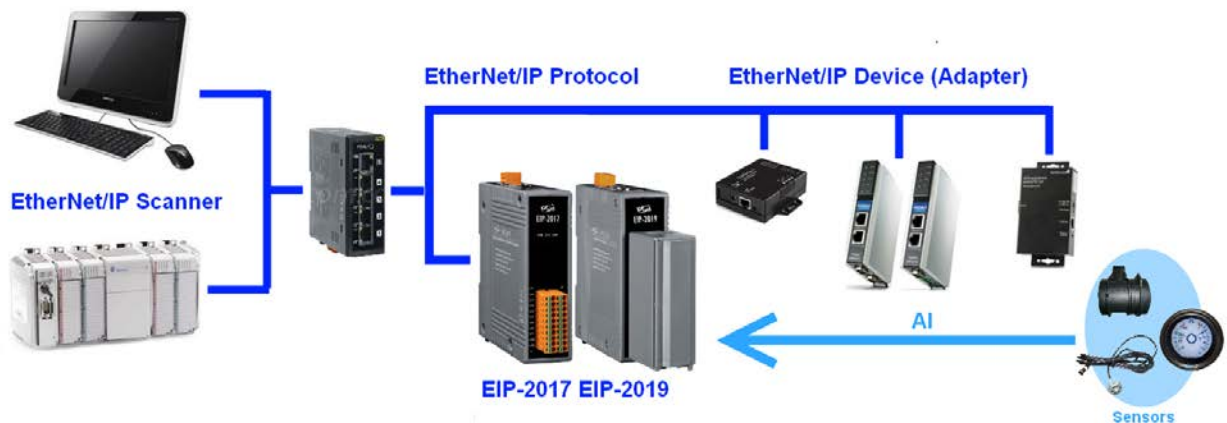
### Dimensions (Units: mm)



## Specifications

Analog Input	
Channels	8-ch Thermocouple Analog Input
Input Type	Voltage: $\pm 15$ mV, $\pm 50$ mV, $\pm 100$ mV, $\pm 150$ mV, $\pm 500$ mV, $\pm 1$ V, $\pm 2.5$ V, $\pm 5$ V, $\pm 10$ V
	Thermocouple : B,C,E,J,K,N,R,S,T
	Current : $\pm 20$ mA (Jumper Selectable)
Resolution	16 bits
Sampling Rate	10 samples/ second
Accuracy	$\pm 0.1\%$
Zero Drift	$\pm 20$ $\mu$ V/ $^{\circ}$ C
Span Drift	$\pm 25$ ppm/ $^{\circ}$ C
Input Impedance	Voltage Input: $>400$ k $\Omega$ , Current Input: 125 $\Omega$
Intra-Module Isolation, Field-to-Logic	3000 VDC
Overvoltage protection	240 Vrms
Individual Channel Configuration	Yes
Open Wire Detection	Yes
Communication Interface	
Connector	10/100 Base-TX, 8-pin RJ-45 x 2, Support daisy chain connection.
Standard Supported	IEEE 802.3 Ethernet/IP
Power	
Input Voltage Range	10V ~ 30V
Power Consumption	3.8W
Mechanism	
Installation	DIN-Rail
Dimensions	110mm x 90mm x 33mm (H x W x D)
Environment	
Operating Temperature	$-25 \sim 75$ $^{\circ}$ C
Storage Temperature	$-30^{\circ}$ C $\sim +80^{\circ}$ C

## Application



## Ordering Information

<b>EIP-2019 CR</b>	Isolated 8-ch Thermocouple AI EtherNet/IP Module (RoHS)-
--------------------	--