



I-8068W-G

4-channel Form A Relay Output and
4-channel Form C Relay Output Module

Features

- Form A & Form C Relay Output
- ± 4 kV ESD Protection
- Wide Operating Temperature Range: $-25 \sim +75$ °C



Introduction

The I-8068W provides 4 Form A power relay output channels and 4 Form C power relay output channels. The I-8068W include 8 LED indicators for monitoring the relay output status.

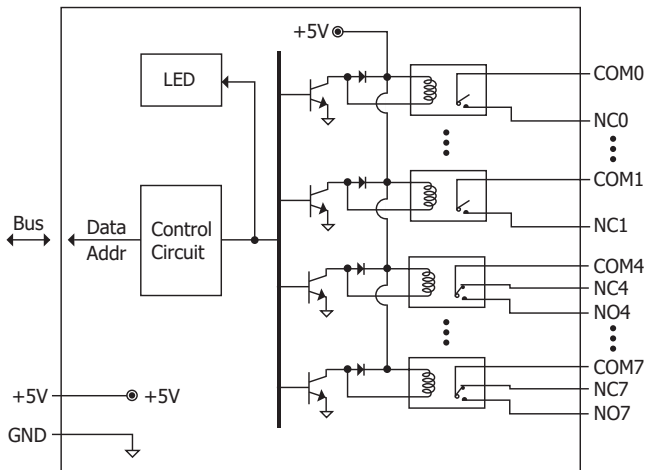
System Specifications

LED Indicators/Display	
System LED Indicators	1 LED as Power Indicator
I/O LED Indicators	8 LEDs as Power Relay Output Indicators
Isolation	
Intra-module Isolation, Field-to-Logic	3750 VDC
EMS Protection	
ESD (IEC 61000-4-2)	± 4 kV Contact for each Terminal
Power	
Power Consumption	2.5 W max.
Mechanical	
Dimensions (W x L x H)	30 mm x 102 mm x 115 mm
Environment	
Operating Temperature	$-25 \sim +75$ °C
Storage Temperature	$-40 \sim +85$ °C
Humidity	10 ~ 90% RH, Non-condensing

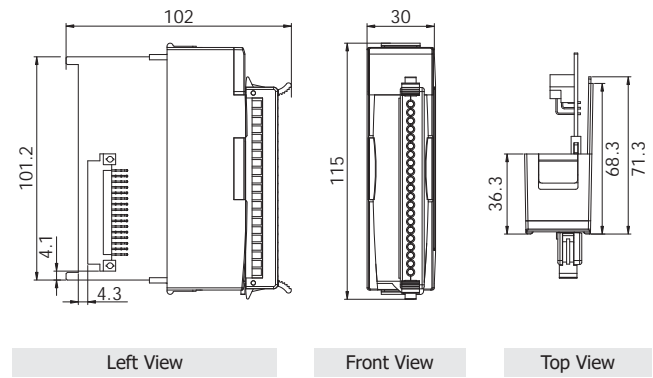
I/O Specifications

Relay Output		
Channels		8 (4 x Form A, 4 x Form C)
Type		Power Relay
Form A	Contact Rating	5 A @ 250 VAC; 5 A @ 28 VDC
	Operate Time	15 ms Max.
	Release Time	4 ms Max.
	Electrical Endurance	100,000 ops. (rated load)
Form C	Mechanical Endurance	100,000,000 ops. (no load)
	Contact Rating	5 A (NO)/3 A (NC) @ 30 VDC 5 A (NO)/3 A (NC) @ 277 VAC
	Operate Time	10 ms Max.
	Release Time	5 ms Max.
Form C	Electrical Endurance	100,000 ops. (rated load)
	Mechanical Endurance	50,000,000 ops. (no load)

Internal I/O Structure



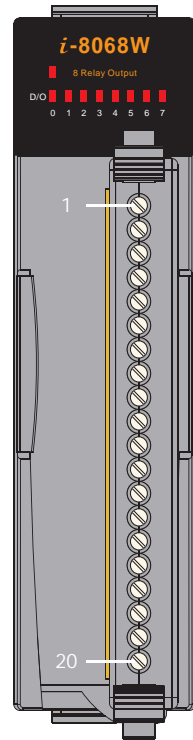
Dimensions (Units: mm)



Wire Connections

Output Type	ON State Readback as 1	OFF State Readback as 0
Form A Relay Contact	Relay ON 	Relay OFF
	Relay ON 	Relay OFF
Form C Relay Contact	Relay ON 	Relay OFF
	Relay ON 	Relay OFF

Pin Assignments



Terminal No.	Pin Assignment
01	NO0
02	COM0
03	NO1
04	COM1
05	NO2
06	COM2
07	NO3
08	COM3
09	NO4
10	NC4
11	COM4
12	NO5
13	NC5
14	COM5
15	NO6
16	NC6
17	COM6
18	NO7
19	NC7
20	COM7

Ordering Information

I-8068W-G CR	4-channel Form A Relay Output and 4-channel Form C Relay Output Module (Gray Cover) (RoHS)
--------------	--