

## Packing List

In addition to this guide, the package includes the following items:



CAN-2054D \* 1



Screw Driver \* 1

## Technical Support

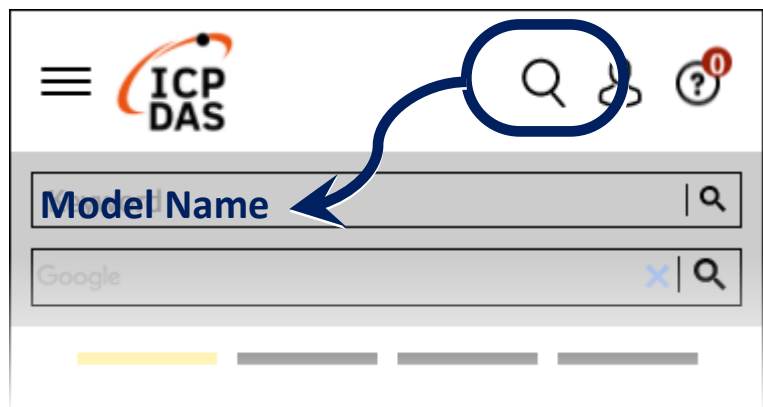
[service@icpdas.com](mailto:service@icpdas.com)

[www.icpdas.com](http://www.icpdas.com)

## Resources

How to search for drivers, manuals and spec information on ICP DAS website.

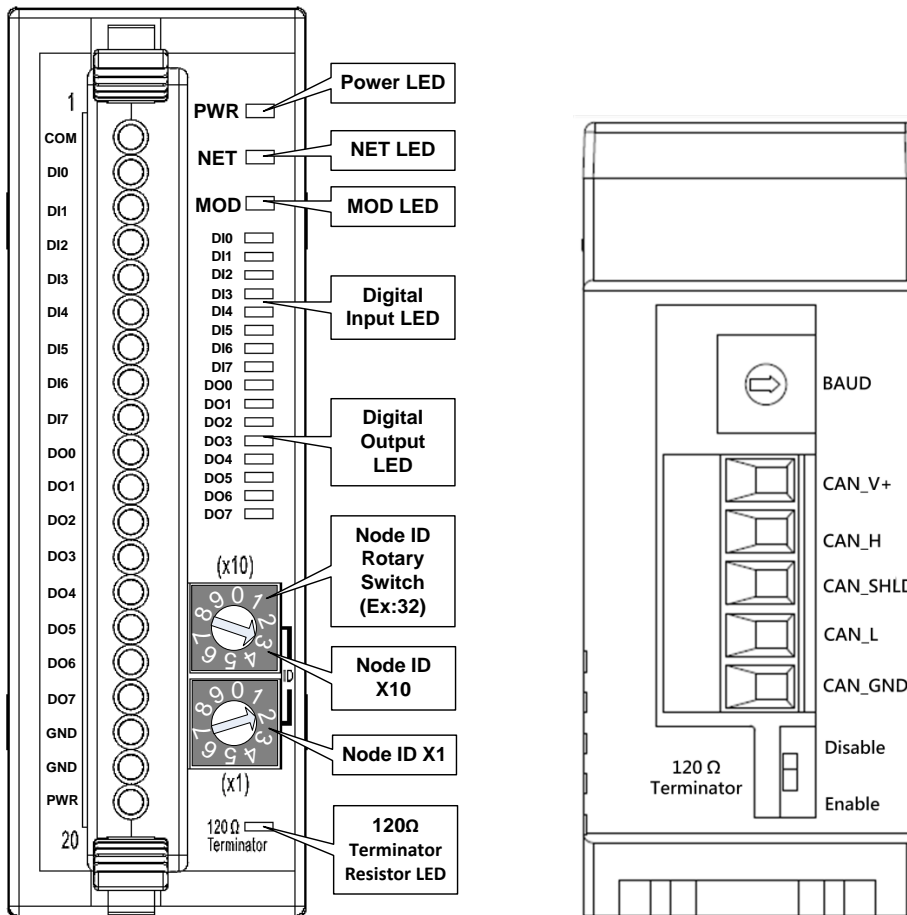
- For Mobile Web



- For Desktop Web

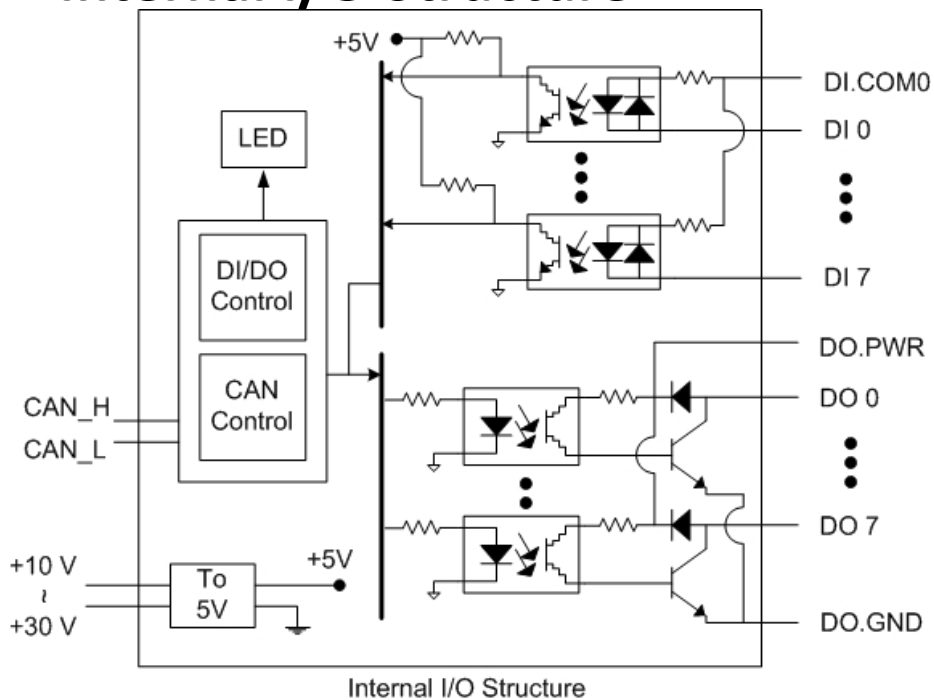
# 1

## Pin Assignments



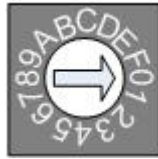
# 2

## Internal I/O Structure



# 3

## Baud Rate Rotary Switch

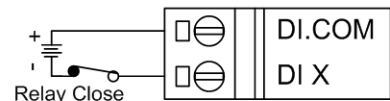
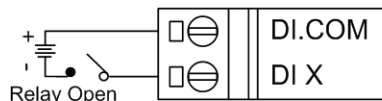
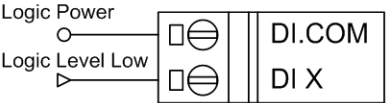
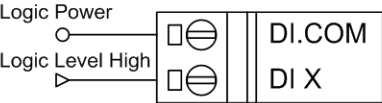
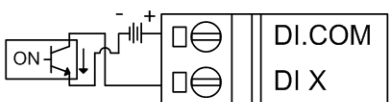
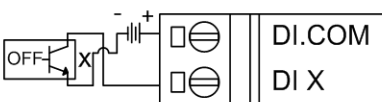
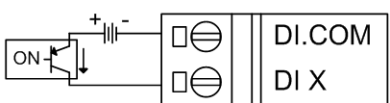
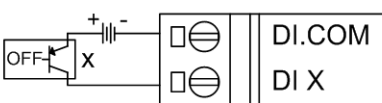


Rotary switch

Rotary Switch Value	Baud rate (kbps)
0x0	125
0x1	250
0x2	500
0xF	Firmware update

# 4

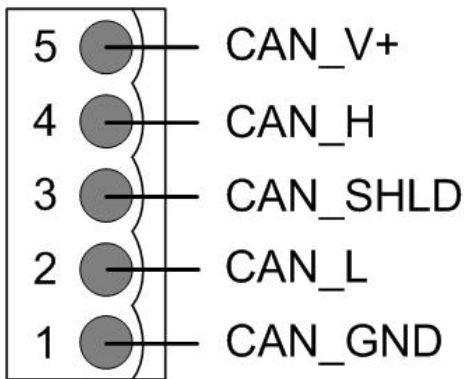
## I/O Wiring Connection Type

Module Name	CAN-2054C / CAN-2054D	
Input Type	ON State LED ON Readback as 1	OFF State LED OFF Readback as 0
Relay Contact	Relay On 	Relay Off 
TTL/CMOS Logic	Voltage > 3.5 V 	Voltage < 1 V 
NPN Output	Open Collector On 	Open Collector Off 
PNP Output	Open Collector On 	Open Collector Off 

Module Name	CAN-2054D	
Output Type	ON State LED ON Readback as 1	OFF State LED OFF Readback as 0
Drive Relay	Relay On	Relay Off
Resistance Load	Relay On	Relay Off

# 5

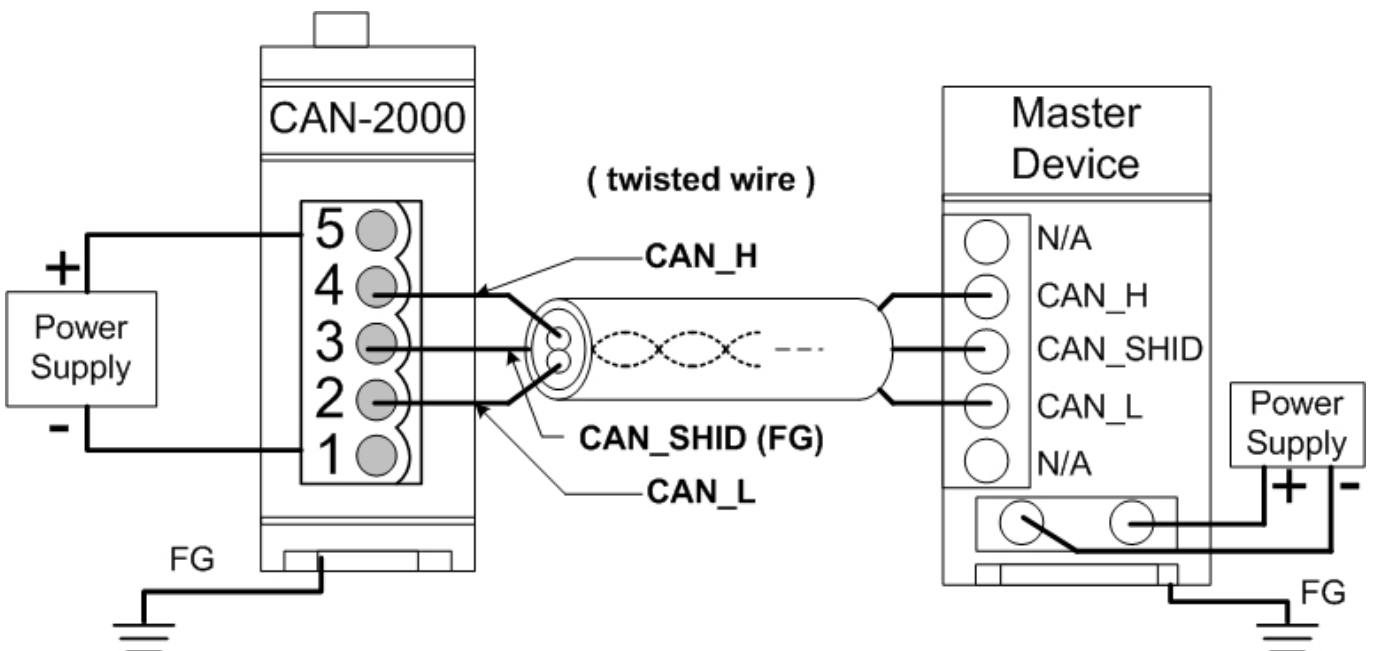
## CAN Bus Wire Connection



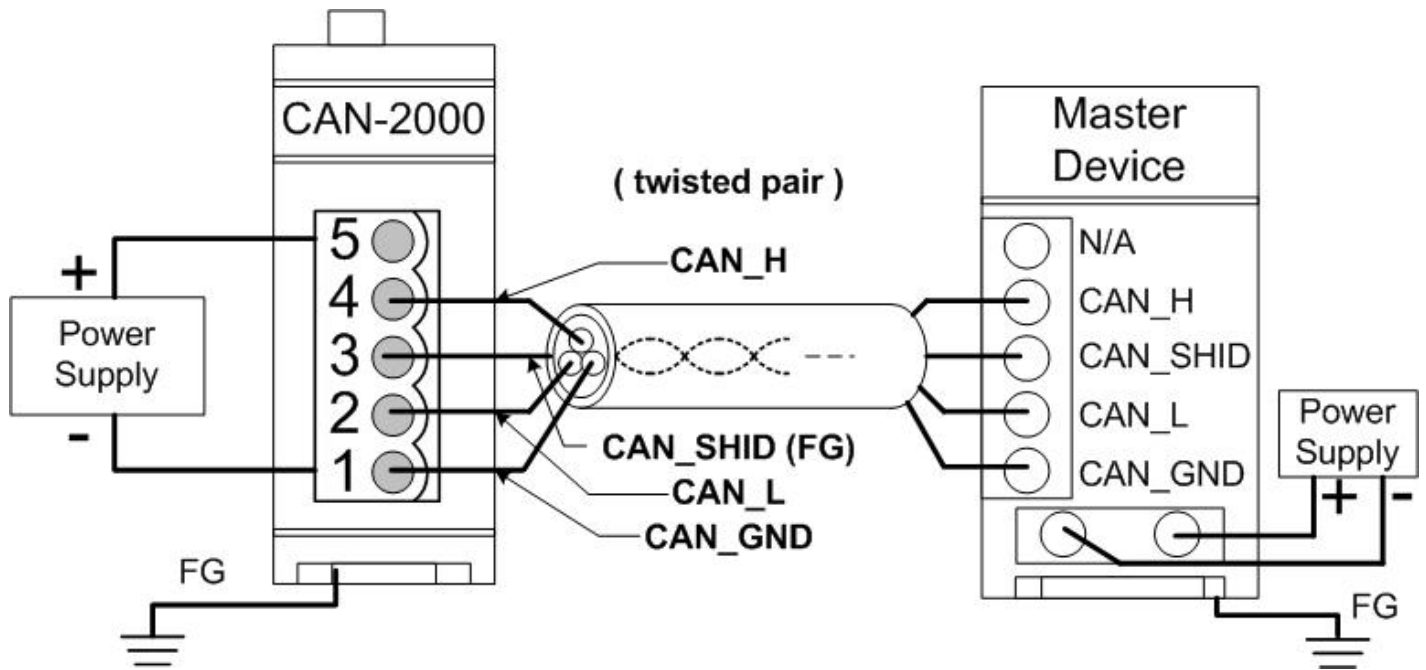
Pin	Signal	Description
5	CAN_V+	Power positive
4	CAN_H	Signal high of CAN Bus line
3	CAN_SHLD	Cable Shield ( <b>FG</b> )
2	CAN_L	Signal low of CAN Bus line
1	CAN_GND	CAN ground

\* CAN\_SHID (FG) is Optional.

### 2-Wire Connection

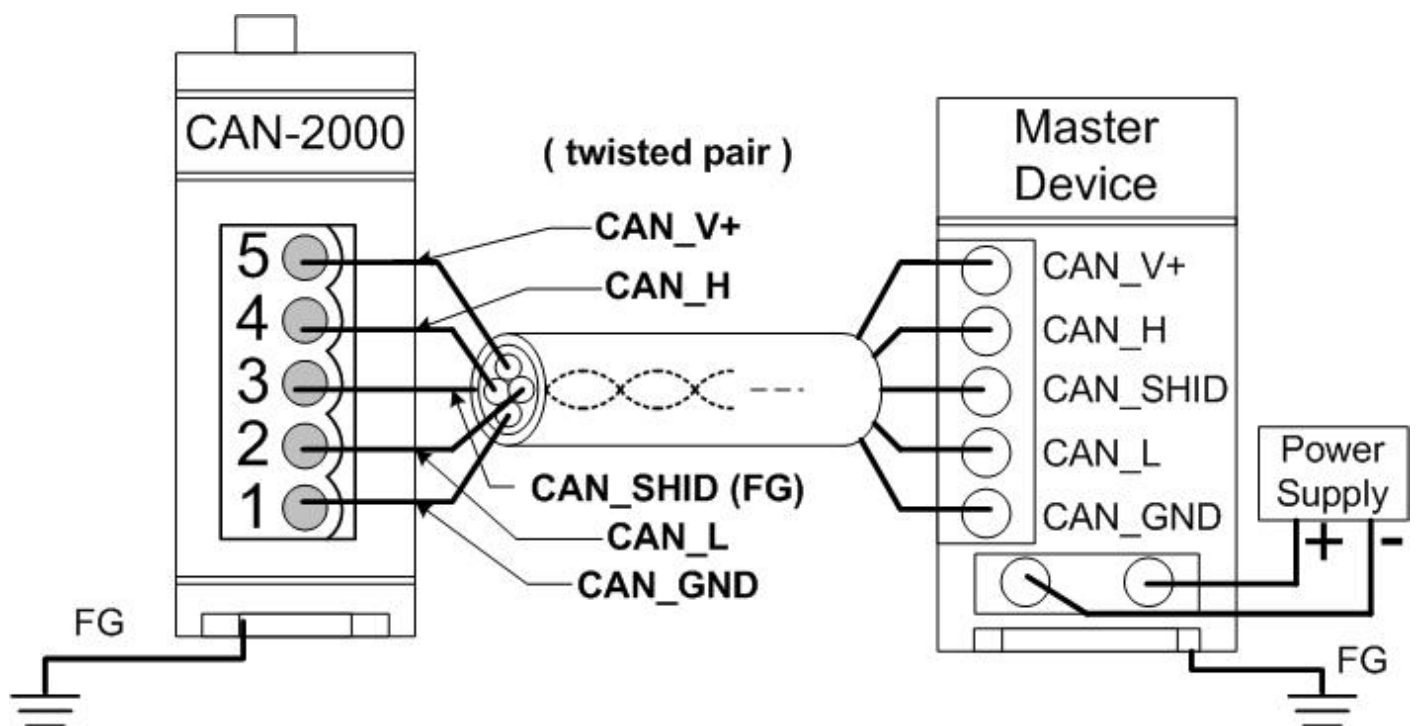


### 3-Wire Connection



### 4-Wire Connection

(The CAN-2000 is powered by the master device)

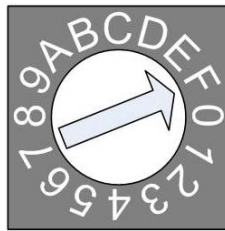


# 6

## Firmware Update

### Step 1: Set Module to “Bootloader” mode

Set Module to “Bootloader” mode (set baud rate to 0xF). Then power on the module. After power on, the module’s led (PWR, NET, MOD) will be flashed at the same time. It means that the module have entered into “Bootloader” mode.



**Baud Rate Rotary Switch**

### Step 2: Get Module firmware

Module firmware can be downloaded from following link:

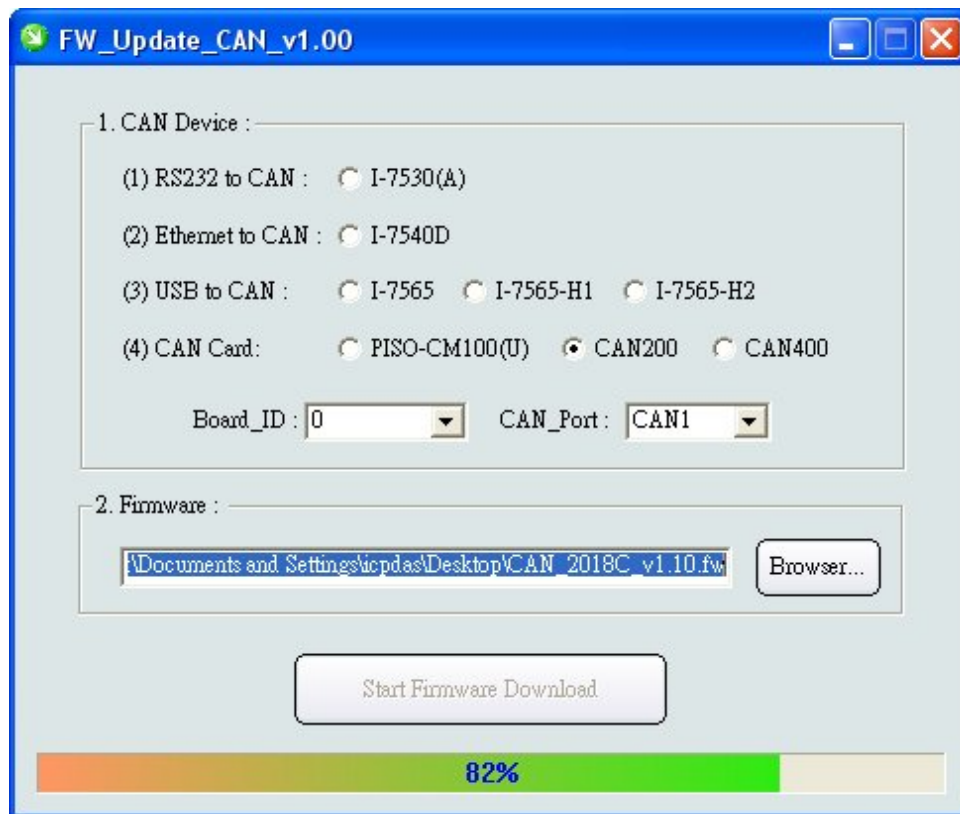
<https://www.icpdas.com/en/download/show.php?num=1935&model=CAN-2054D>

### Step 3: Run FW\_Update\_CAN Utility

FW\_Update\_CAN Utility can be downloaded from following link:

<https://www.icpdas.com/en/download/show.php?num=1914&model=CAN-2054D>

## Run FW\_Update\_CAN Utility



### [1] CAN Device :

The below ICP DAS CAN products are supported by FW\_Update\_CAN utility for firmware update.

- (1) RS232 to CAN : I-7530
- (2) Ethernet to CAN : I-7540D
- (3) USB to CAN : I-7565, I-7565-H1, I-7565-H2
- (4) CAN Card : PISO-CM100(U), PISO-/PCM-/PEX-CAN200 / CAN400

Before firmware update, users need to set the below parameters.

- (1) Select CAN hardware interface
- (2) set Dev\_Port or Board\_ID
- (3) set CAN\_Port" number

## [2] Download Firmware :

- (1) Click “**Browser...**” button to choose firmware file, can\_2054d\_vX.X.fw.
- (2) Click “**Start Firmware Update**” button to start firmware update and it will show the total percentage of firmware update in progress bar. After the firmware update finished, it will show the “Firmware Update Success !!” message.

