



VP-x201-CE7 Quick Start

Version 1.0.0, February 2015

Supported Models

- VP-2201-CE7
- VP-4201-CE7

What's in the box?

In addition to this guide, the package includes the following items:



ViewPAC



A microSD card & a
micro SD/SD adapter



Software Utility CD



Screw Driver



Panel Clip * 4



M4x30 L Screw * 4

Technical Support

ViewPAC CE7 User Manual

CD:\VP-x201\Document\User_Manual\

http://ftp.icpdas.com/pub/cd/winpac_am335x/vp-x201/document/user_manual/

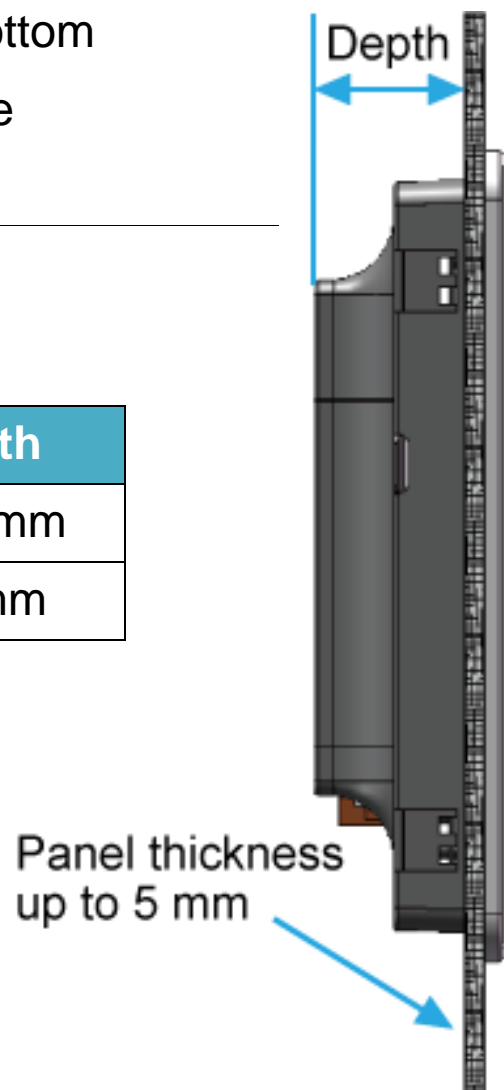
1 Mounting the Hardware

The ViewPAC can be mounted on a panel of maximum thickness 5 mm. Adequate access space can be available at the rear of the instrument panel for wiring and servicing purposes.



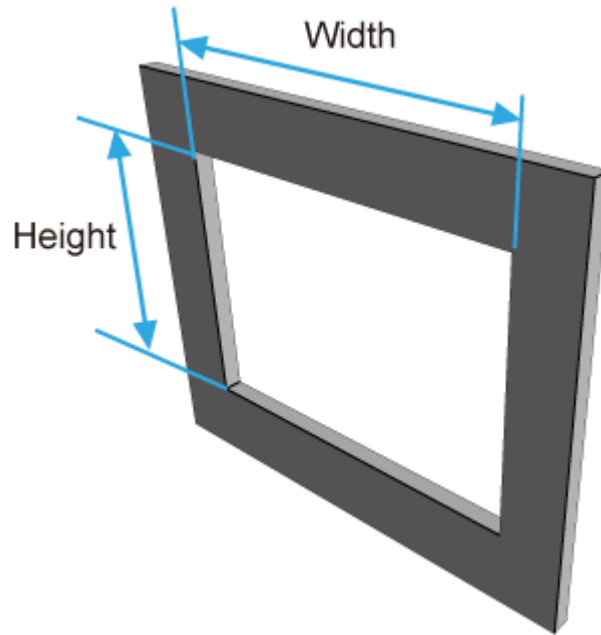
To ensure proper ventilation for your ViewPAC, leave a minimum of 50 mm space between the top and bottom edges of the ViewPAC and the enclosure panels.

Models	Depth
VP-2201-CE7	38.2 mm
VP-4201-CE7	44 mm



1) Prepare the panel and cut the hole to the specified size.

The table below shows the dimension of the panel cut-out of ViewPAC.

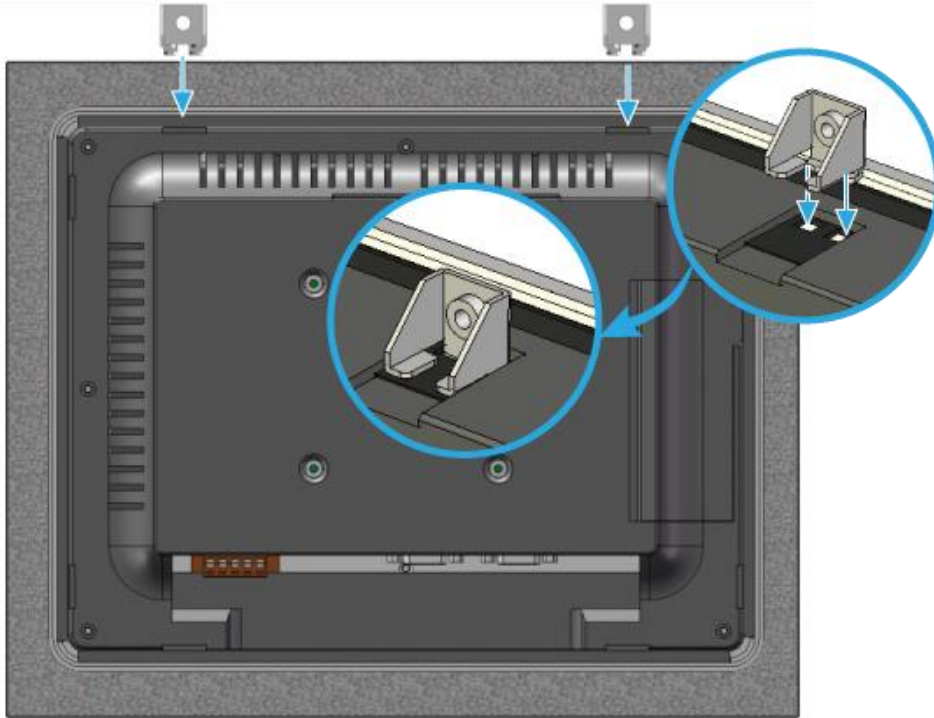


Models	Panel Cut-Out (Width x Height)
VP-2201-CE7	200 mm x 133 mm, ± 1 mm
VP-4201-CE7	276 mm x 214 mm, ± 1 mm

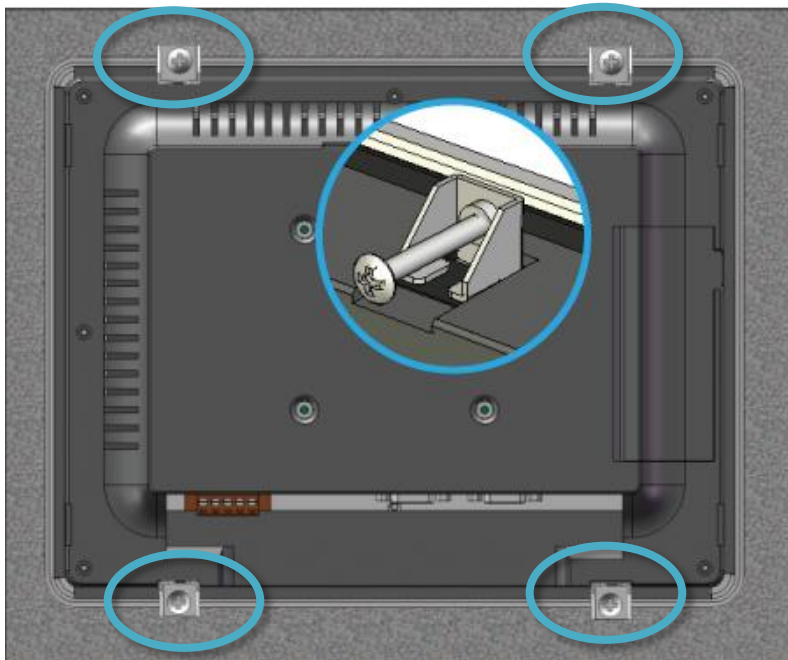
2) Attach the ViewPAC to the cut-out hole.



- 3) Insert the panel mounting clips into the upper and lower ventilation holes.



- 4) Screw the panel mounting clips to the panel.



Recommended Screw Torque: 3.4 ~ 4.5 kgf-cm.

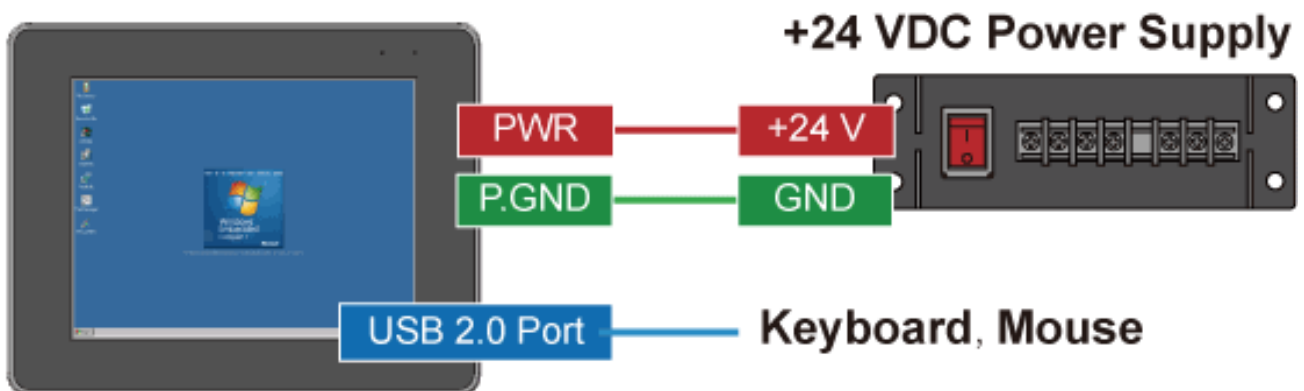
2 Setting up the ViewPAC

- 1) Connect the positive terminal (+) of the power supply to the terminal PWR and the negative terminal (-) of the power supply to the P.GND.



The input range of power supply is
 $+12 \sim +48 \text{ V}_{\text{DC}}$.

- 2) Connect the USB mouse or the USB keyboard to the USB port.

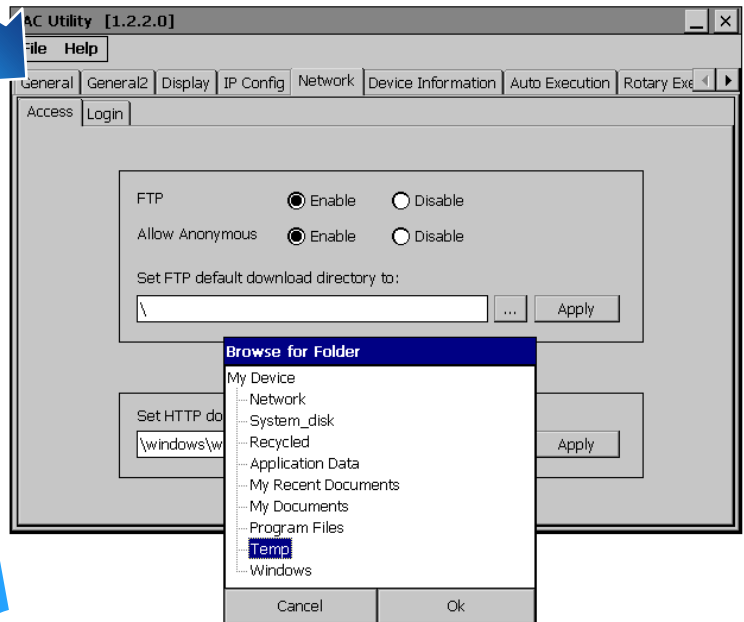


- 3) Turn on the ViewPAC.

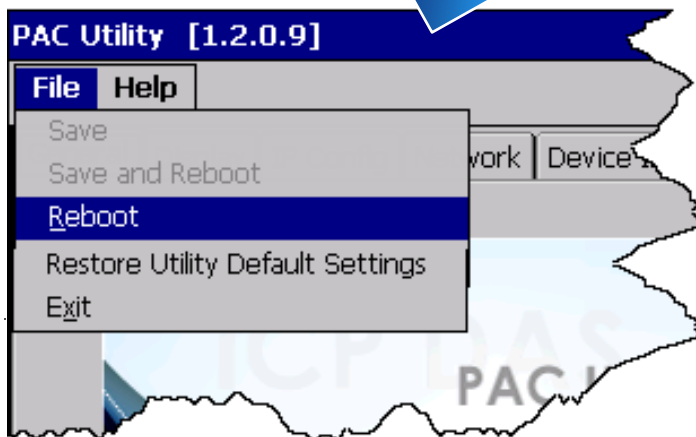
3 Using PAC Utility to Manage the ViewPAC

The PAC Utility is a collection of the ViewPAC system tool that allows user quickly and easily manage and configure the ViewPAC.

1) Double-click the PAC Utility shortcut on the desktop



2) Configure IP address (DHCP), FTP Server, Auto Execution files..., etc

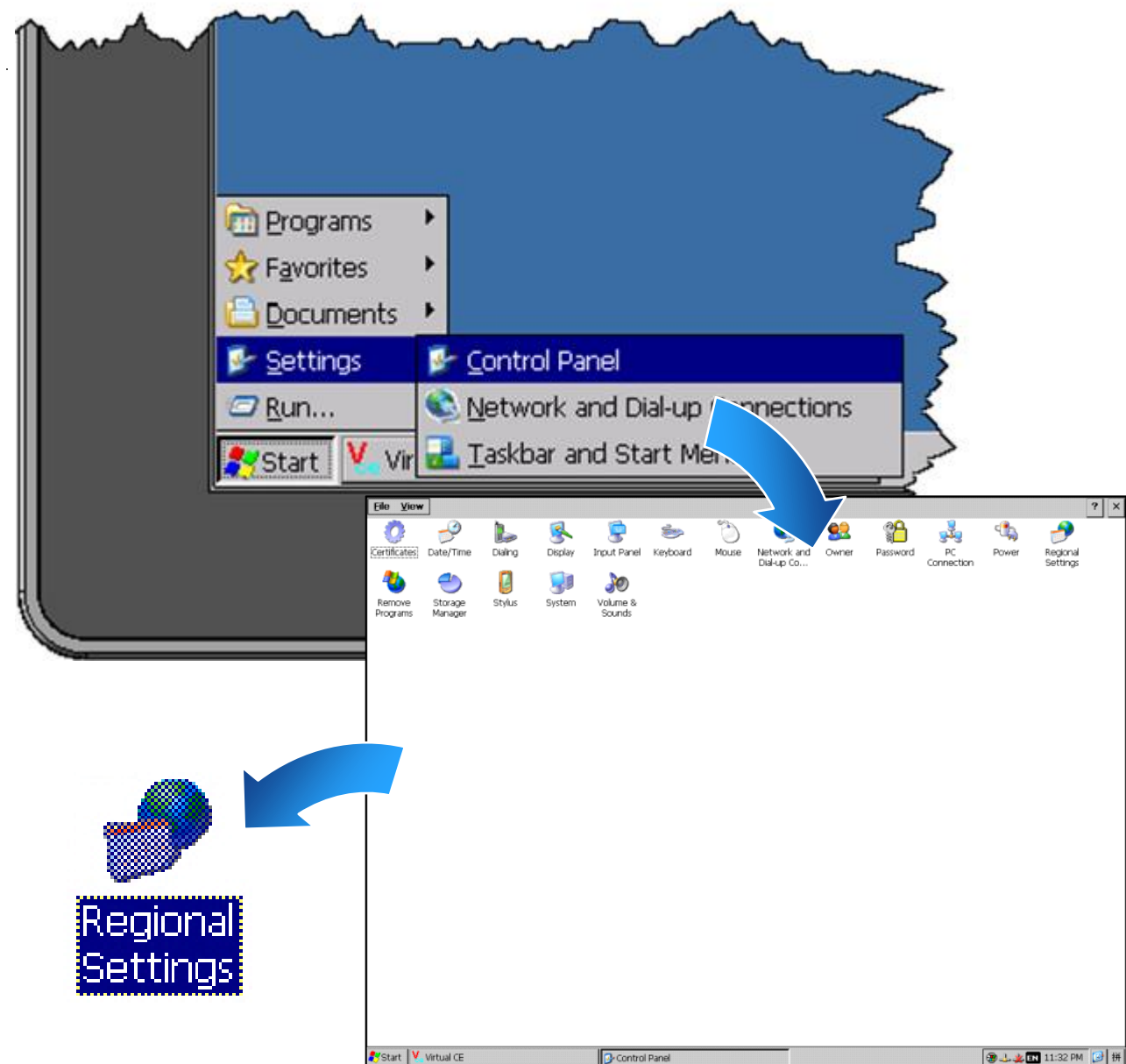


3) Reboot the ViewPAC for changes to take effect.

4 Changing the User Interface Language

The Regional Settings is a Windows Embedded Compact 7 functionality that allows users to easily change the ViewPAC user interface with your native language.

- 1) Click Start menu, point to Settings, click Control Panel, and then click the Regional Settings



VP-X201-CE7 Quick Start

2) Click User Interface Language tab, choose to your local language, and then click OK.



3) Run the PAC Utility, click Reboot for changes to take effect.

