

Intel® I210-AT Gigabit Ethernet

M2-210



Features

- Low power consumption and high performance
- 2230 M.2 Card dimension
- M.2 Key E Card Type
- Support WOL

Product Description



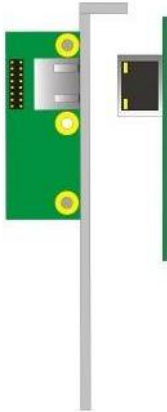
Host Interface	M.2
Controller	Intel® Ethernet Controller I210-AT
M.2 key type	E
Dimension	22 x 30 x 5.3 mm (L x W x H)
Operating Conditions	
Voltage	3.3V +/-5%
Temperature	Operating Temp.: 0~60°C Storage Temp.: -40~+85°C

General Specifications

Compliance	IEEE 802.3 Ethernet interface for 1000Base-T, 100Base-TX, and 10Base-T applications (802.3, 802.3u, 802.3ab).
Transfer Rate	1000 Mb/s, 100 Mb/s, or 10 Mb/s
Support OS	Win7 x32&x64, Win8 x32&x64, Win8.1 x32&x64, Win10 x32&x64, Win server 2012 R2. Linux (kernel versions 2.6.30 or newer)

Ordering Code

M2-210	M.2 (NGFF) card supports Gigabit Ethernet (Incl. connection cable and RJ45 adapter)	5 fH*Bc"%" * \$-'
--------	---	-------------------

M.2 LAN module	LAN cable x 1	LAN adapter x 1 (With Bracket)
		
M2-210	OALGLAN-A-20S (1040650)	BADPGLAND_A (4120007011)