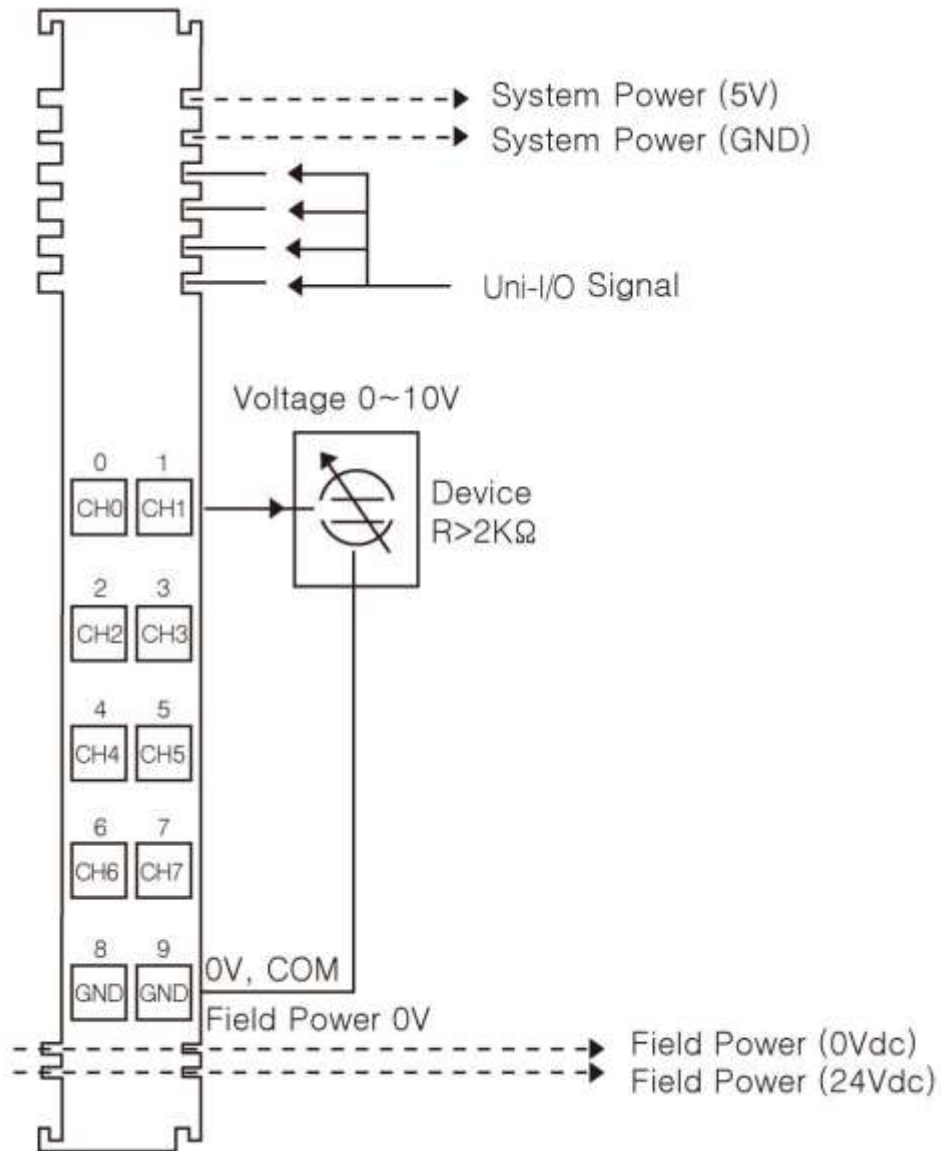
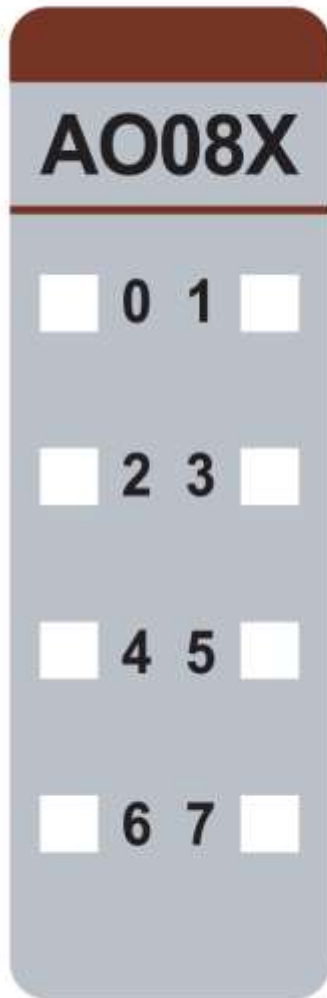


URA-0008X (AO08X) - 8 Analog Voltage Outputs 12bit Art. No. 156784

1. Specifications

Items	Specification
Outputs per module	8 outputs single ended
Indicators(Logic side)	8 Green Output status
Resolution in Ranges	12 bits : 2.44mV/Bit
Output Range	0 ~ 10VDC
Data Format	16bits Integer (2' compliment)
Module Error	±0.1% Full Scale @ 25°C ±0.3% Full Scale @ -40°C, 70°C
Load Resistance	Min. 2KΩ
Conversion Time	Max. 250usec / All Output
Diagnostic	Field Power Off: LED Blinking Field Power On: No Output LED Off Field Power On: Output LED On
Calibration	Not Required
Common Type	2 Common, Field Power 0V is Common(AGND)
Power dissipation	Max. 30mA @ 5.0VDC
Isolation	I/O to Logic : Isolation Field power : Non-Isolation
Field Power	Supply Voltage : 24VDC nominal Voltage Range : 18 to 32VDC Power Dissipation : Max. 70mA @ 24VDC
Wiring	I/O Cable Max. 2.0mm ² (AWG 14)
Weight	58g
Module Size	12mm x 99mm x 70mm

2. Wiring Diagram



Pin No.	Signal Description	Pin No.	Signal Description
0	Analog Output 0	1	Analog Output 1
2	Analog Output 2	3	Analog Output 3
4	Analog Output 4	5	Analog Output 5
6	Analog Output 6	7	Analog Output 7
8	Output Common(AGND)	9	Output Common(AGND)

3. LED Indicators

LED No.	LED Function / Description	LED Color
0	Output 0	Green
1	Output 1	Green
2	Output 2	Green
3	Output 3	Green
4	Output 4	Green
5	Output 5	Green
6	Output 6	Green
7	Output 7	Green

Status	LED	Indication
Normal Operation	No Output Off Output Green	No Output Output
Field Power Error	All output Repeat the Green and Off	Field power is unconnected.