



I-8051W-G

16-channel Digital Input Module

Features

- 16-channel Digital Input
- Dry Contact Digital Input Channels
- All Channels Non-isolated
- ± 4 kV ESD Protection
- Wide Operating Temperature Range: $-25 \sim +75$ °C



Introduction

The I-8051W is a 16-channel Digital Input module for dry contact wire connections with an effective distance of up to 100 meters. All channels 4 kV ESD protection is provided. The I-8051W also includes 16 LED indicators that can be used to monitor the status of the Digital Input channels.

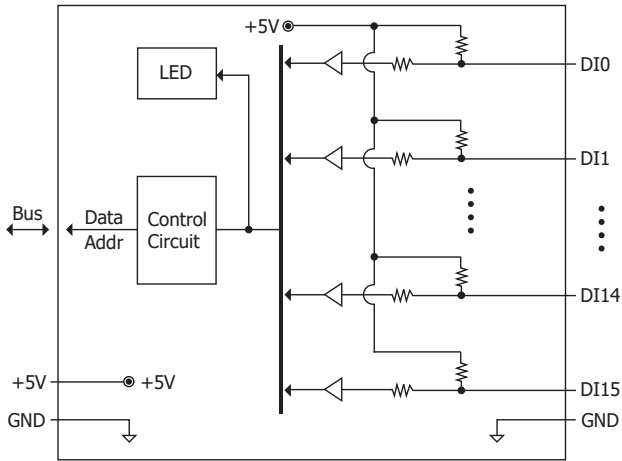
System Specifications

LED Indicators/Display	
System LED Indicator	1 LED as Power/Communication Indicator
I/O LED Indicator	16 LEDs as Digital Input Indicators
EMS Protection	
ESD (IEC 61000-4-2)	± 4 kV Contact for Each Terminal
Power	
Power Consumption	1.1 W max.
Mechanical	
Dimensions (W x L x H)	30 mm x 102 mm x 115 mm
Environment	
Operating Temperature	$-25 \sim +75$ °C
Storage Temperature	$-40 \sim +85$ °C
Humidity	10 ~ 90% RH, Non-condensing

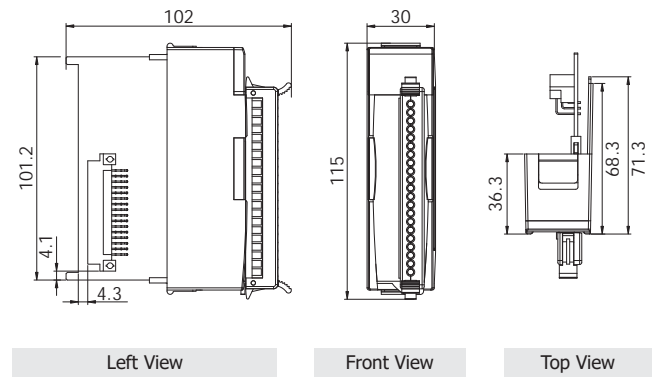
I/O Specifications

Digital Input	
Channels	16
Type	Non-isolated
Sink/Source	Source
On Voltage Level	Connect to GND
Off Voltage Level	Open
Effective Distance	100 m max.

Internal I/O Structure



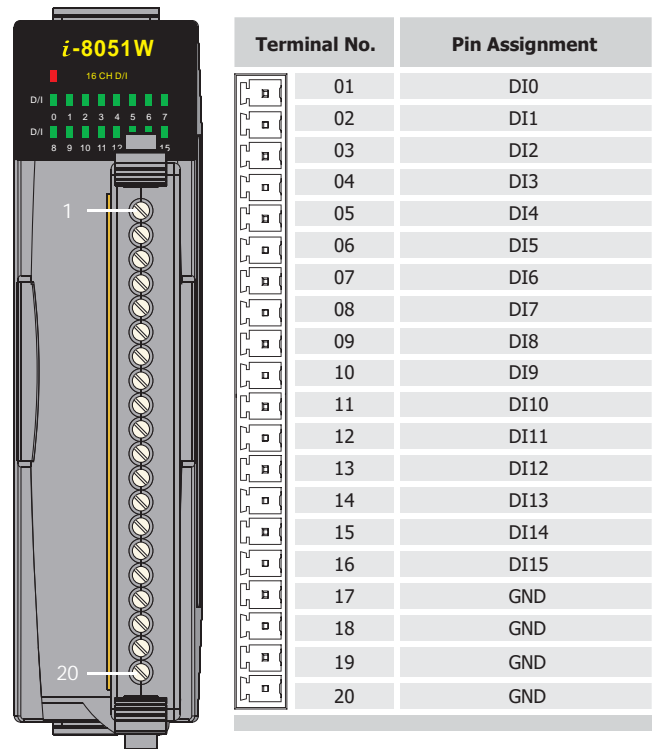
Dimensions (Units: mm)



Wire Connections

Input Type	ON State LED ON Readback as 0	OFF State LED OFF Readback as 1
Relay Contact	Relay ON 	Relay OFF
TTL/CMOS Logic	Voltage < 1 V 	Voltage > 3.5 V
Open Collector	Open Collector ON 	Open Collector OFF

Pin Assignments



Ordering Information

I-8051W-G CR	16-channel Non-isolated Digital Input Module (Gray Cover) (RoHS)
---------------------	--