



User Manual

2018/03/06, v1.0.0

HRT-370

(HART signal Filter)



Written by Peter Ho
Edited by Julia Wang

Table of Contents

1. Introduction	4
1.1 Features.....	5
1.2 Specification.....	6
2. Hardware.....	7
2.1 Appearance.....	7
2.2 Pin Assignments	8
2.3 Block diagram	9
2.4 Wiring.....	10
2.5 LED Indicator	12
Appendix A. Revision History	13

Important Information

Warranty

All products manufactured by ICP DAS are under warranty regarding defective materials for a period of one year, beginning from the date of delivery to the original purchaser.

Warning

ICP DAS assumes no liability for any damage resulting from the use of this product. ICP DAS reserves the right to change this manual at any time without notice. The information furnished by ICP DAS is believed to be accurate and reliable. However, no responsibility is assumed by ICP DAS for its use, not for any infringements of patents or other rights of third parties resulting from its use.

Copyright

Copyright © 2017 by ICP DAS Co., Ltd. All rights are reserved.

Trademark

Names are used for identification purpose only and may be registered trademarks of their respective companies.

Contact us

If you encounter any problems while operating this device, feel free to contact us via mail at: service@icpdas.com . We guarantee to respond within 2 working days.

1. Introduction

HART protocol is a global standard for sending and receiving digital information across analog wires between smart devices and controlling or monitoring system, hence many factories see the HART communication as a digital upgrade for the existing plants. However while adding the HART digital signals onto the original analog signal, the value of the original analog current signal may get interfered. In order to solve this issue, ICP DAS has developed a new HART product, the HRT-370.

The HRT-370 module is a HART signal Filter. When connecting HRT-370 to a HART instrument, it splits the HART slave signal to two channels, one keeps the original HART signal and another filters the HART digital signal out to output a pure analog signal. Therefore, users can make both HART and analog current data collection and processing easier and more precise by applying HRT-370 in the HART network. The HRT-370 module has specially designed to pass 4KV ESD protection, 2500V_{DC} isolation and a wide operating temperature meaning that it can be used in harsh environments. The HRT-370 module contains three LED indicators, one is used to indicate the status of the module power, one is to indicate whether HART slave device connected and the last one is used to indicate whether the analog output loop connected.

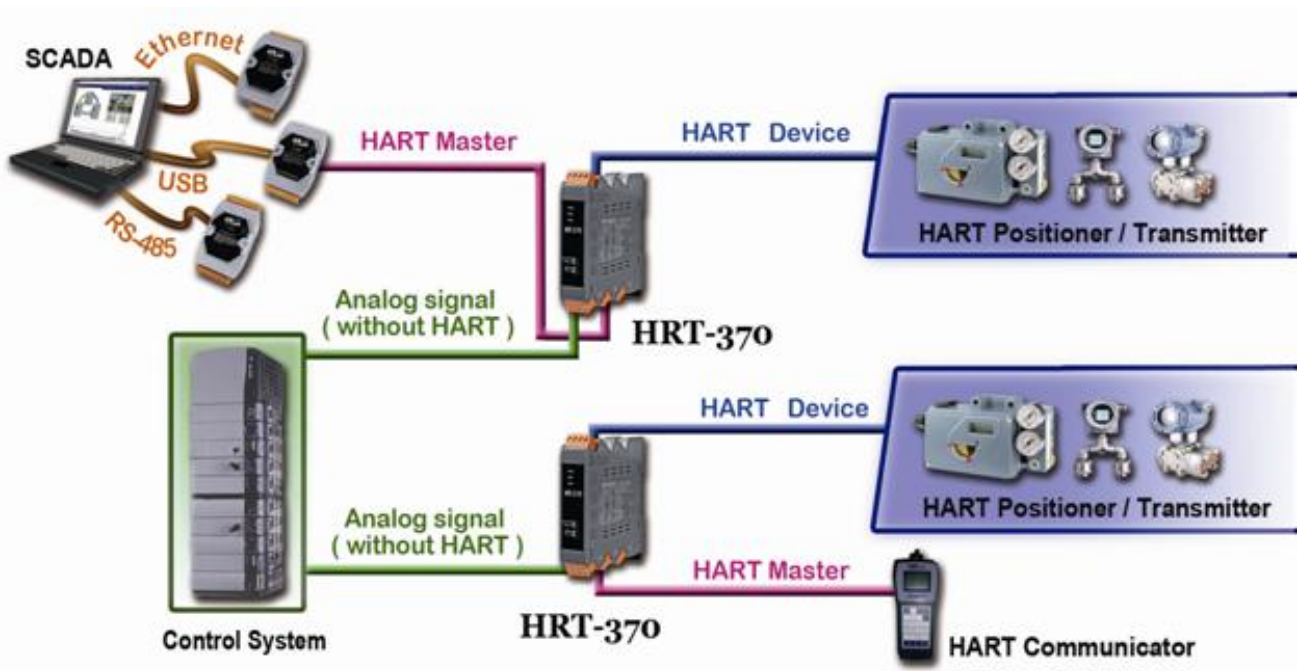


Figure 1: The application of HRT-370

1.1 Features

■ Hardware

- ◆ 1 analog current output (HART signal filter) channel
- ◆ 1 by pass HART signal channel
- ◆ Supports input voltage 10~30V_{DC}.
- ◆ Supports input current 4~20mA
- ◆ Supports HART Burst mode
- ◆ Supports point-to-point HART mode
- ◆ Allows two HART masters
- ◆ Supports Loop Power function (module provides +30V)
- ◆ Provides 3 LED indicators (PWR/ HART/ AO)
- ◆ 4KV ESD Protection
- ◆ 2500V_{DC} isolation
- ◆ 250Ω, 2W load resistor
- ◆ RoHS Design
- ◆ Supports din-rail installation

■ Software

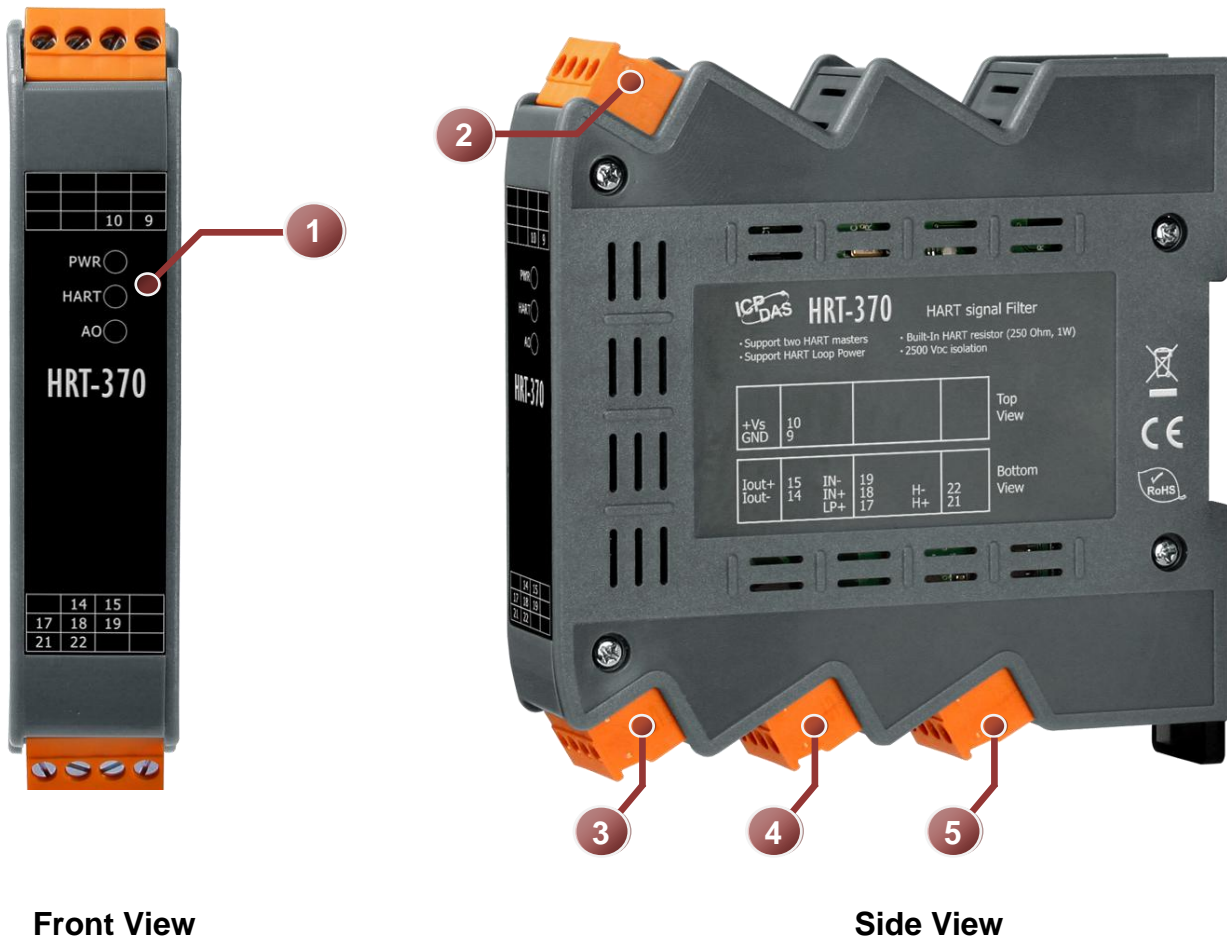
- ◆ Not required

1.2 Specification

Module	HRT-370
HART Interface	
HART Connector	One 4-pin screwed terminal block (LP+, H+, H-)
HART Device	2-wired or 4-wired HART devices (Point to Point)
4KV ESD Protection	Yes
Isolation Voltage	2500 VDC
Loop Power	Yes (module provides +30V output)
Auxiliary Supply	24V @ 20mA
Input Impedance	250Ω ±5% (2W)
Analog Output Interface	
Analog Output Connector	One 4-pin screwed terminal block (IOOUT+, IOOUT-)
Current Output Capacity	External +30V @ 800Ω (Sink)
Zero/Span Drift (25°C)	4~20mA ± 0.1% FSR
Zero/Span Drift (-30/+80°C)	4~20mA ± 0.5% FSR
Response Time	40ms @ 250 Ω
Isolation Voltage	2500VDC
Power	
Power Supply	Unregulated +10 ~ +30 V _{DC}
Protection	Power reverse polarity protection, Over-voltage brown-out protection
Power Consumption	Maximum: (20mA) => 0.05mA @ 30VDC, 1.5W
Mechanical	
Installation	DIN-Rail
Dimension (W x L x H)	25mm x 116mm x 120mm
LED Display	PWR: Module power status HART: HART connection status AO: AO connection status
Environment	
Operating Temperature	-25 °C ~ +75 °C
Storage Temperature	-30 °C ~ +80 °C
Relative Humidity	5% ~ 95% RH, non-condensing

2. Hardware

2.1 Appearance



Front View

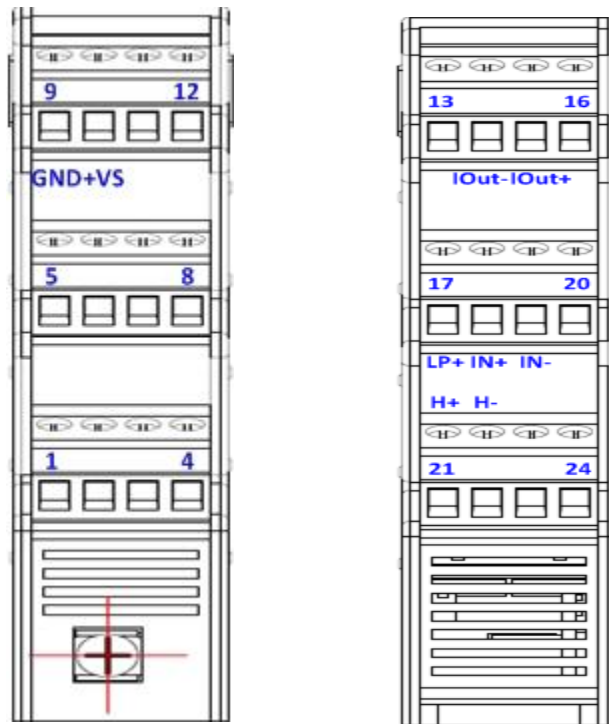
Side View

Figure 2.1: HRT-370 Appearance

[Table 2.1: HRT-370 appearance description]

No.	Description
1	LED indicators (PWR, HART, AO)
2	Power connector (+Vs, GND)
3	Analog Output connector (Iout+, Iout-)
4	HART slave device connector (LP+, IN+, IN-)
5	HART master device connector (H+, H-)

2.2 Pin Assignments



Top View

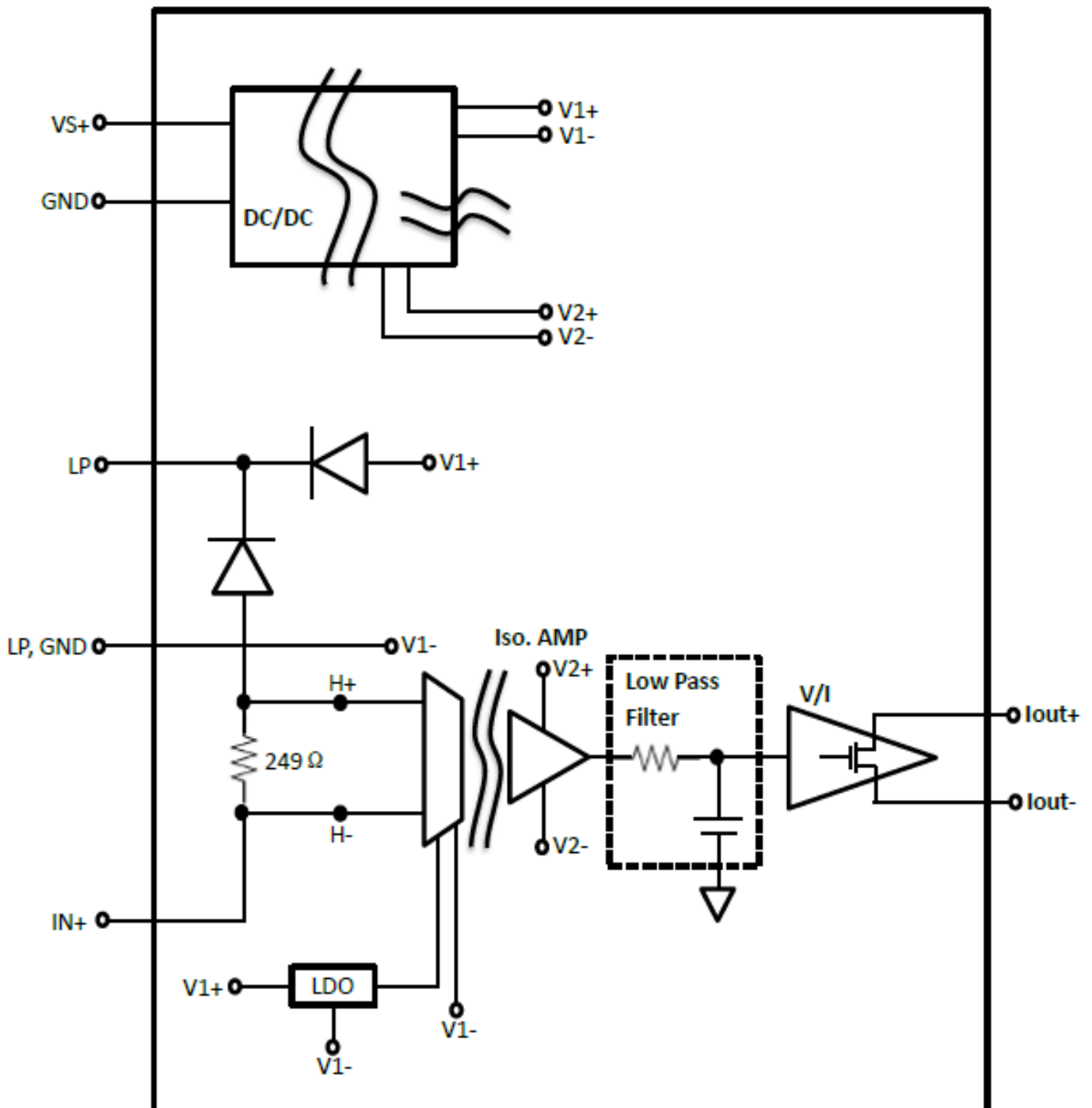
Bottom View

Figure 2.2: Pin assignment of HRT-370

[Table 2.2: Screw terminal block]

Name	Pin No.	Description
GND	9	GND of Power Supply
+VS	10	V+ of Power Supply (+10~+30Vdc)
IOOut+	15	Current AO+
IOOut-	14	Current AO-
IN-	19	Negative of HART
IN+	18	Positive of HART
LP+	17	V+ of Loop Power (+30Vdc)
H-	22	Negative of HART output
H+	21	Positive of HART output

2.3 Block diagram



2.4 Wiring

[HART slave device wiring : (HRT-370 has 250 Ω built-in resistor)]

(1) External Power:

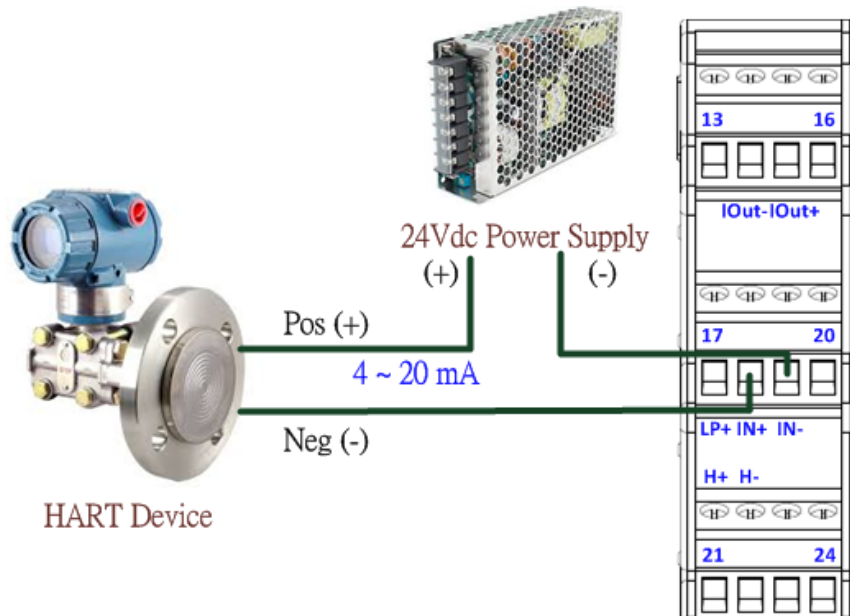


Figure 2.4.1: External Power wiring

(2) Module Loop Power : (HRT-370 supports to provide +30V)

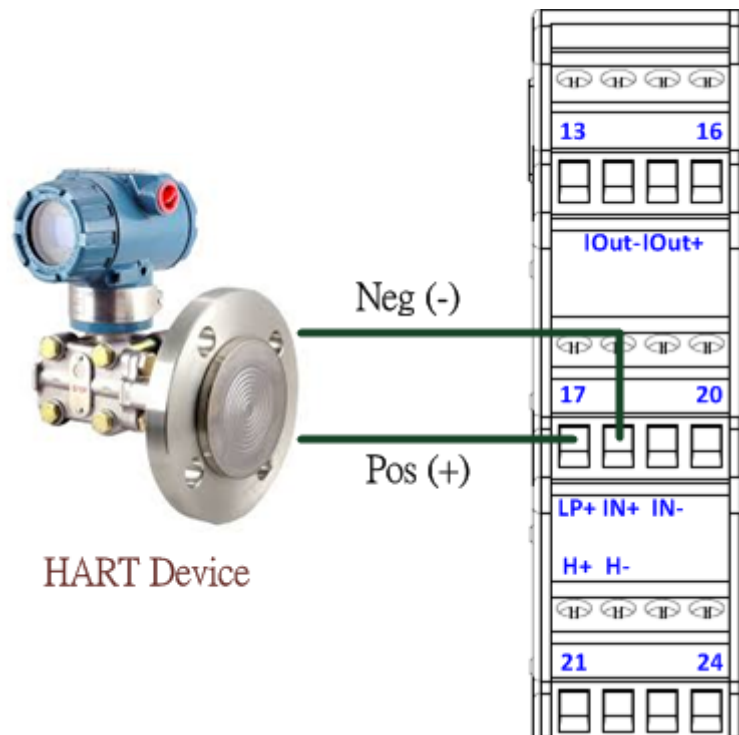


Figure 2.4.2: Module Loop Power wiring

[**Analog Output wiring**]

M-7019 is using as an example of AI module to connect with HRT-370.

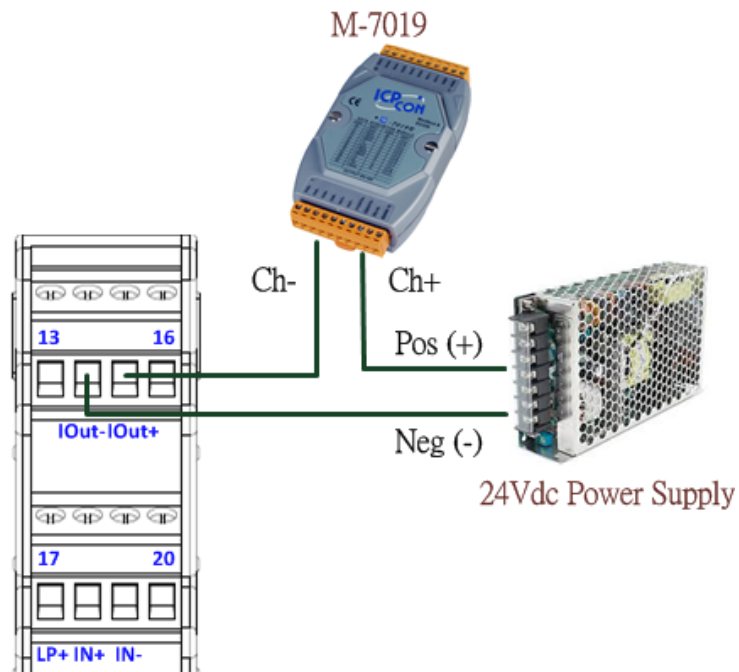


Figure 2.4.3: Analog Output wiring

[**HART Output wiring**]

HART gateways or converters can be connected with HRT-370 to exam HART communication

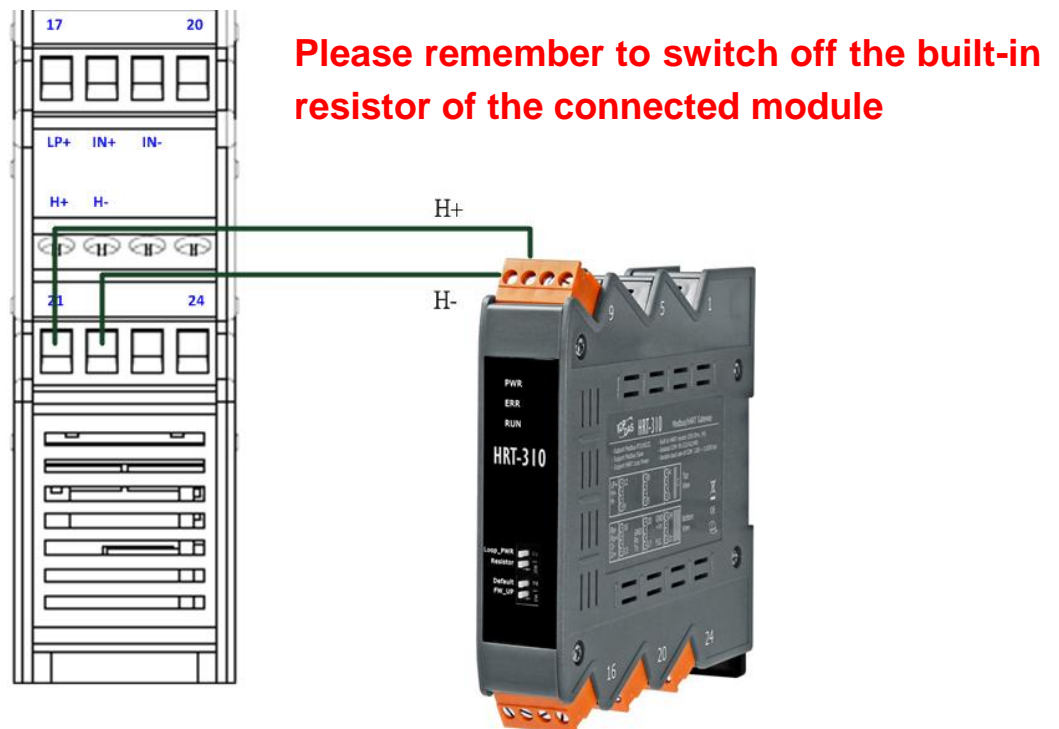


Figure 2.4.4: HART Master wiring

2.5 LED Indicator

There are 3 LEDs display on the front of HRT-370:

- (1) PWR: indicates module power status
- (2) HART: indicates communication status of HART
- (3) AO: indicates analog output status

The below table listed the description of LEDs status



Figure 2.5: LEDs on HRT-370

[Table 2.5: LED status description]

LED Name	LED Status	LED Description
Power	ON	Module power supply normally
	OFF	Module power supply failed
HART	ON	HART slave device connected
	OFF	HART slave device disconnected
AO	ON	Analog output loop connected
	OFF	Analog output loop disconnected

Appendix A. Revision History

Revision	Author	Date	Description
1.0.0	Peter	2018/03/06	Initial issues