



CAN-2084C

4/8-channel Counter/Frequency CANopen Slave

Features

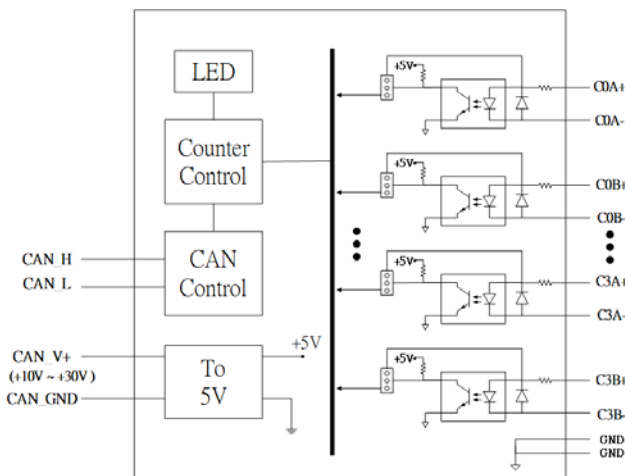
- NMT Slave
- 8-channel isolated/non-isolated input
- Provide 5 Counter modes
- Provide default EDS file
- ESD Protection 4KV Contact for each channel
- Support Power supply 10 ~ 30 V_{DC}
- Support CiA-301 v4.02, CiA-401 v2.1
- Support PDO Mapping



Introduction

CAN-2084C module follows the CiA-301 version 4.02. You can access the digital I/O status and set the configuration by using standard CANopen protocol. CAN-2084C has passed the validation of the CIA CANopen Conformance Test tool. Therefore, you can use it with standard CANopen master easily by applying the EDS file. CAN-2084C is a high-speed Counter/Frequency module that provide "Up Counter", "Frequency", "Up/Down Counter", "Dir/Pulse Counter" and "A/B Phase Counter" modes. It can be used to various applications. By owing to the CANopen masters of ICP DAS, you can quickly build a CANopen network to approach your requirement..

Internal I/O Structure



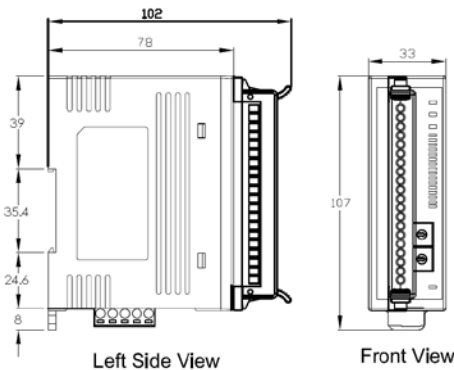
I/O Pin & Wire Connection

Terminal No.	Pin Assignment
01 ⁺	C0A+ ⁺
02 ⁻	C0A- ⁻
03 ⁺	C0B+ ⁺
04 ⁻	C0B- ⁻
05 ⁺	C1A+ ⁺
06 ⁻	C1A- ⁻
07 ⁺	C1B+ ⁺
08 ⁻	C1B- ⁻
09 ⁺	C2A+ ⁺
10 ⁻	C2A- ⁻
11 ⁺	C2B+ ⁺
12 ⁻	C2B- ⁻
13 ⁺	C3A+ ⁺
14 ⁻	C3A- ⁻
15 ⁺	C3B+ ⁺
16 ⁻	C3B- ⁻
17 ⁺	GND ⁺
18 ⁻	GND ⁻
19 ⁺	N.C. ⁺
20 ⁻	N.C. ⁻

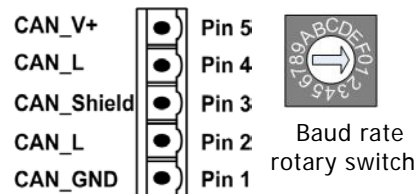
Input Mode	Isolated	Non-isolated
Dir/Pulse		
Up/Down		
Up		
A/B Phase (Quadrant)		
Frequency		

Jumper	Counter	Jumper setting
JP1 ⁺	A0 ⁻	Isolated input (Default)
JP2 ⁺	B0 ⁻	
JP3 ⁺	A1 ⁻	Non-isolated input (TTL input)
JP4 ⁺	B1 ⁻	
JP5 ⁺	A2 ⁻	
JP6 ⁺	B2 ⁻	
JP7 ⁺	A3 ⁻	
JP8 ⁺	B3 ⁻	

Dimensions



CAN Pin & Baud Rate Rotary

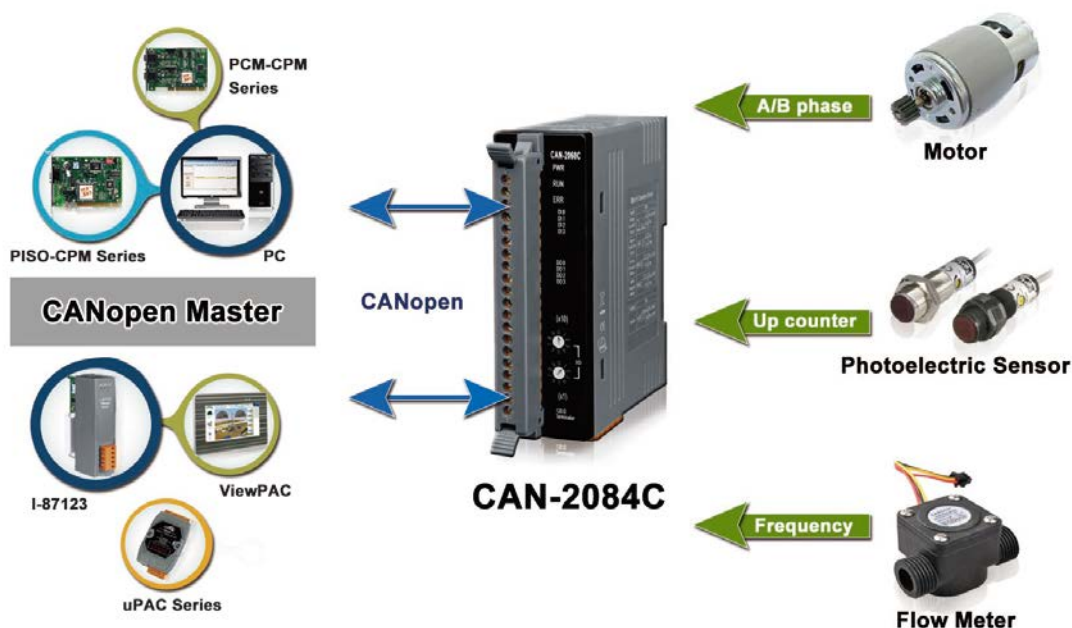


Switch Value	Baud Rate
0	10 kbps
1	20 kbps
2	50 kbps
3	125 kbps
4	250 kbps
5	500 kbps
6	800 kbps
7	1000 kbps

Specifications

CAN Interface	
Connector	5-pin screwed terminal block (CAN_GND, CAN_L, CAN_SHLD, CAN_H, CAN_V+)
Baud Rate (bps)	10 k, 20 k, 50 k, 125 k, 250 k, 500 k, 800 k, 1M
Terminal Resistor	Switch for 120 Ω terminal resistor
Node ID	1~99 selected by rotary switch
Protocol	CANopen CiA-301 ver4.02, CiA-401 ver2.1
No. of PDOs	10 Rx, 10Tx (Support Dynamic PDO)
PDO Mode	Event Triggered, Remotely requested, Cyclic and acyclic SYNC
Digital Input	
Channels	4/8
Mode	4-channel Up/Down Counter (Up/Down)
Isolated Input	Logic Level 0: +1 V Max.
TTL Input	Logic Level 0: 0 to +0.8 V
ESD protection	4kV contact for each channel
LED	
Round LED	PWR LED, RUN LED, ERR LED
Alarm LED	8 LEDs for DI, and 1 LED as terminal resistor indicator
Power	
Input range	Unregulated +10 ~ +30 V _{DC}
Power Consumption	1.5 W
Mechanism	
Dimensions	33 mm x 99 mm x 78 mm (W x L x H)
Environment	
Operating Temp.	-25 ~ 75 $^{\circ}$ C
Storage Temp.	-30 ~ 80 $^{\circ}$ C
Humidity	10 ~ 90% RH, non-condensing

Application



Ordering Information

CAN-2084C	CANopen module of 4/8- channel Counter/Frequency
------------------	--