



## I-8050W-G

16-channel Universal Digital I/O Module

### Features

- 16-channel Universal Digital Input / Digital Output
- Photocouple-isolation protection
- $\pm 4$  kV ESD Protection
- 3750 Vdc Intra-module Isolation
- Wide Operating Temperature Range:  $-25 \sim +75$  °C



### Introduction

I-8050W is a 16-channel Universal Digital I/O module. Each channel can be configured to be a Digital Input or Digital Output by programming. Each of which features Photocouple-isolation. I-8050W supports Sink Type Output with short-circuits protection. There are option for power on value and safe value for your consideration. All channels have  $\pm 4$  kV ESD protection and 3750 VDC intra-module isolation are standard.

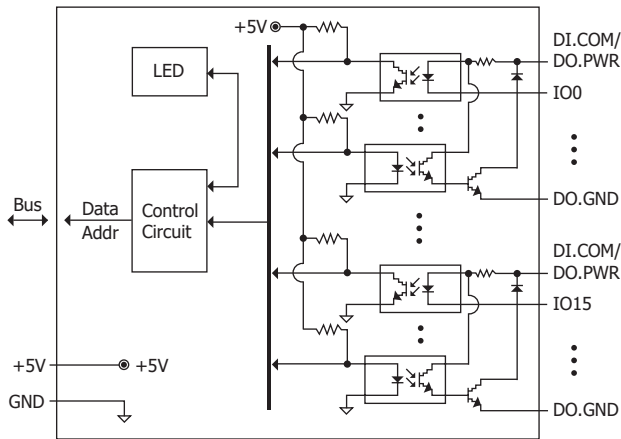
### System Specifications

LED Indicators/Display	
System LED Indicators	1 LED as Power Indicator
I/O LED Indicator	16 LEDs as Digital Input / Output Indicators
Isolation	
Intra-module Isolation, Field-to-Logic	3750 Vdc
EMS Protection	
ESD (IEC 61000-4-2)	$\pm 4$ kV Contact for Each Terminal
Power	
Power Consumption	1 W max.
Mechanical	
Dimensions (W x L x H)	30 mm x 102 mm x 115 mm
Environment	
Operating Temperature	$-25 \sim +75$ °C
Storage Temperature	$-40 \sim +85$ °C
Humidity	10 ~ 90% RH, Non-condensing

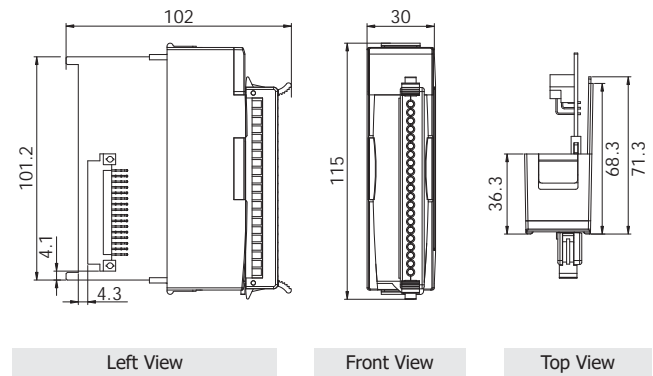
### I/O Specifications

Digital Input	
Channels	0 ~ 16, by programming
Type	Wet Contact
Sink/Source	Sink
ON Voltage Level	+10 ~ +30 VDC
OFF Voltage Level	+4 VDC max.
Input Impedance	3 k $\Omega$ , 0.25W
Digital Output	
Channels	0 ~ 16, by programming
Type	Isolated Open Collector
Sink/Source	Sink
Load Voltage	+5 ~ +30 VDC
Max. Load Current	100 mA/Channel
Overload Protection	Yes
Short Circuit Protection	-
Power-on Value	Yes
Safe Value	Yes

## Internal I/O Structure



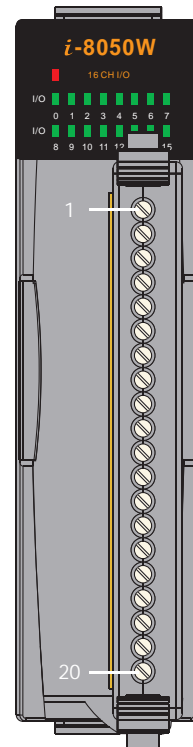
## Dimensions (Units: mm)



## Wire Connections

Input Type	ON State LED ON Readback as 0	OFF State LED OFF Readback as 1
Relay Contact	Relay ON	Relay OFF
TTL/ CMOS Logic	Voltage > 10V	Voltage < 4V
NPN Output	Open Collector ON	Open Collector OFF
PNP Output	Open Collector ON	Open Collector OFF
Output Type	ON State LED ON Readback as 1	OFF State LED OFF Readback as 0
Drive Relay	Relay ON	Relay OFF
Resistance Load		

## Pin Assignments



Terminal No.	Pin Assignment
01	IO0
02	IO1
03	IO2
04	IO3
05	IO4
06	IO5
07	IO6
08	IO7
09	IO8
10	IO9
11	IO10
12	IO11
13	IO12
14	IO13
15	IO14
16	IO15
17	DO.GND
18	DO.GND
19	DI.COM/DO.PWR
20	DI.COM/DO.PWR

## Ordering Information

<b>I-8050W-G CR</b>	16-channel Universal Digital I/O Module (Gray Cover) (RoHS)
---------------------	---