

URA-0004Y (AO04Y) - 4 Analog Current Outputs 16bit**Art. No. 156785****1. Specifications**

| Items | Specification |
|-------------------------|--|
| Outputs per module | 4 Outputs single ended |
| Indicators(Logic side) | 4 Green Output Status LEDs |
| Resolution in Ranges | 16 bit (Include Sign) 15 bits : 0.61uA/bit |
| Output Range | 0~20mA |
| Data Format | 16bits Integer (2's complement) |
| Module Error | ±0.1% Full Scale @ 25°C ±0.3% Full Scale @ -40°C, 70°C |
| Load Resistance | Max. 250Ω * |
| Dignostic | Field Power Off : LED Blinking Field Power On : No Output LED Off Field Power On : Output LED ON |
| Conversion Time | Max. 150usec / All Output |
| Calibration | Not Required |
| Common Type | 4 Channels / 4 Common |
| Power Dissipation | Max. 30mA @ 5VDC |
| Isolation | I/O to Logic : Photocoupler Isolation Field power : Non-Isolation |
| Field Power | Supply Voltage : 24VDC nominal Voltage Range : 18 to 32VDC Power Dissipation : Max. 80mA @ 24VDC |
| Wiring | I/O Cable Max. 2.0mm ² (AWG 14) |
| Weight | 58g |
| Module Size | 12mm x 99mm x 70mm |

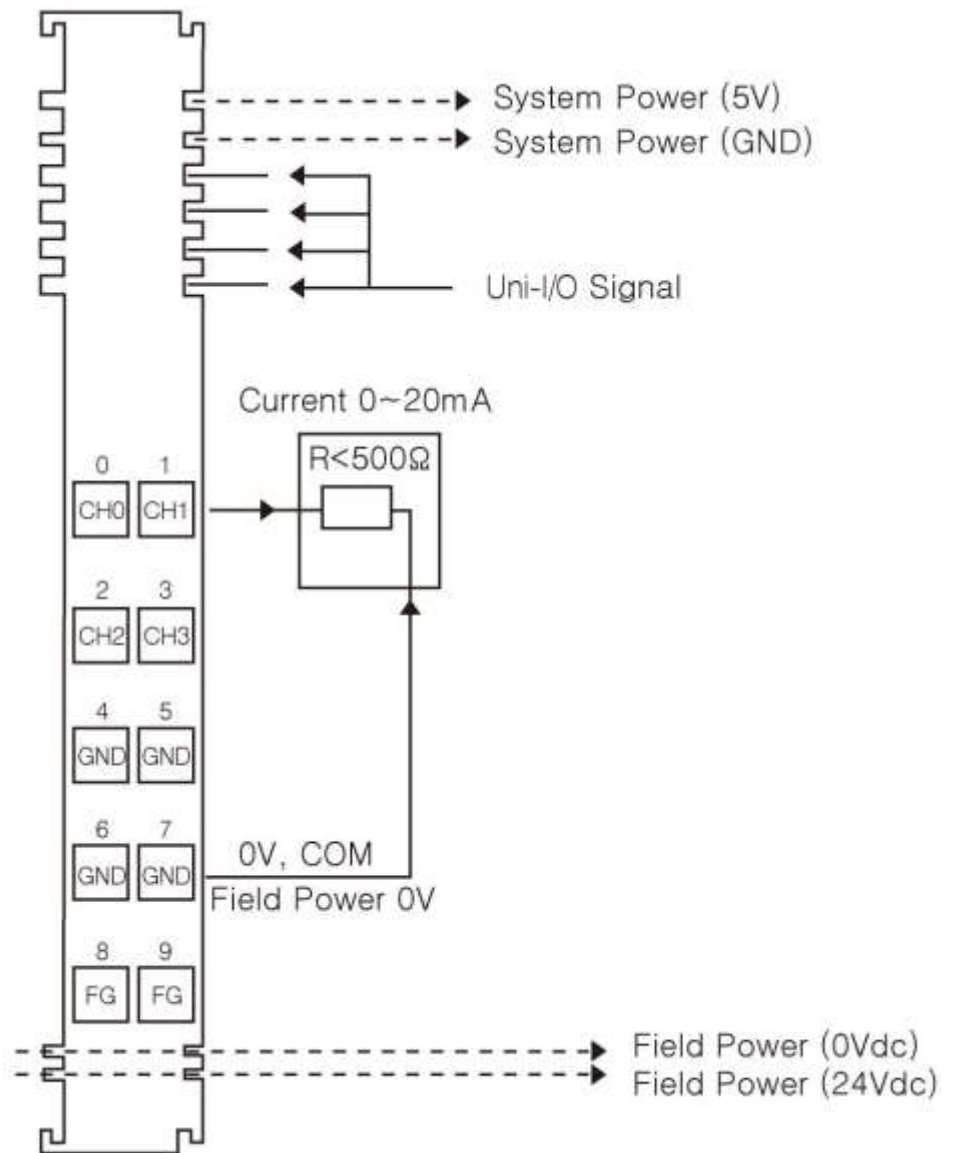
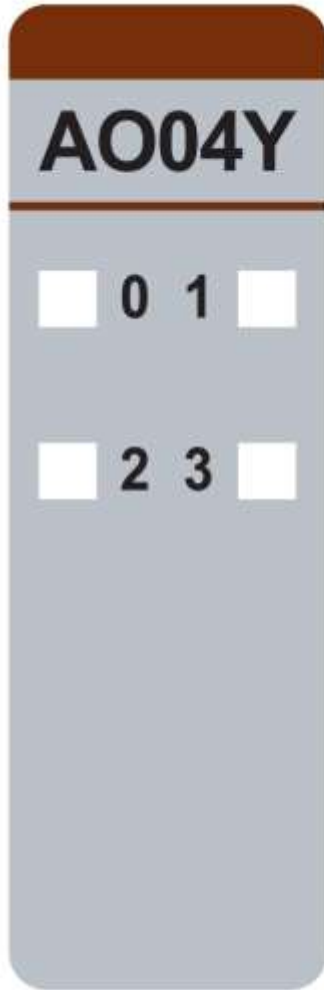
* Operating temperature

-40 ~ 70°C temperature range specification can be guaranteed under the following conditions.

- Load Resistance : Min 100Ω, Max 250Ω

- Otherwise, temperature specification can be guranteed with -40 ~ 60°C.

2. Wiring Diagram



| Pin No. | Signal Description | Pin No. | Signal Description |
|---------|---------------------|---------|---------------------|
| 0 | Analog Output 0 | 1 | Analog Output 1 |
| 2 | Analog Output 2 | 3 | Analog Output 3 |
| 4 | Output Common(AGND) | 5 | Output Common(AGND) |
| 6 | Output Common(AGND) | 7 | Output Common(AGND) |
| 8 | Field Ground | 9 | Field Ground |

3. LED Indicators

| LED No. | LED Function / Description | LED Color |
|---------|----------------------------|-----------|
| 0 | Output 0 | Green |
| 1 | Output 1 | Green |
| 2 | Output 2 | Green |
| 3 | Output 3 | Green |

| Status | LED | Indication |
|-------------------|---------------------------------|-----------------------------|
| Normal Operation | Off | No Output Value |
| | Green | Normal Operation |
| Field Power Error | All Output Repeat Green and Off | Field Power is unconnected. |